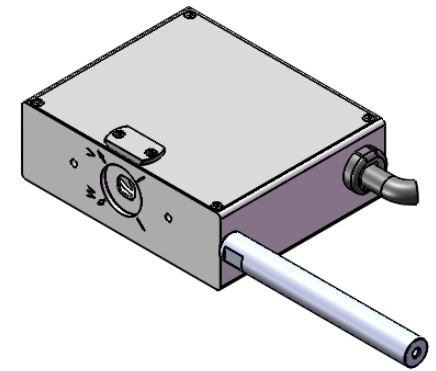
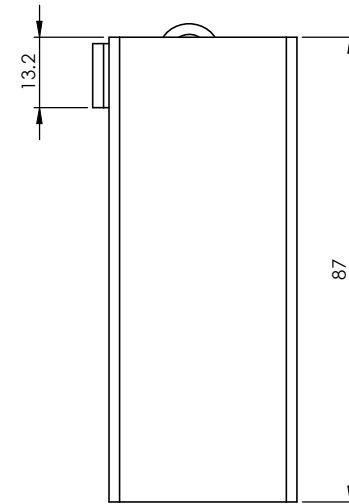
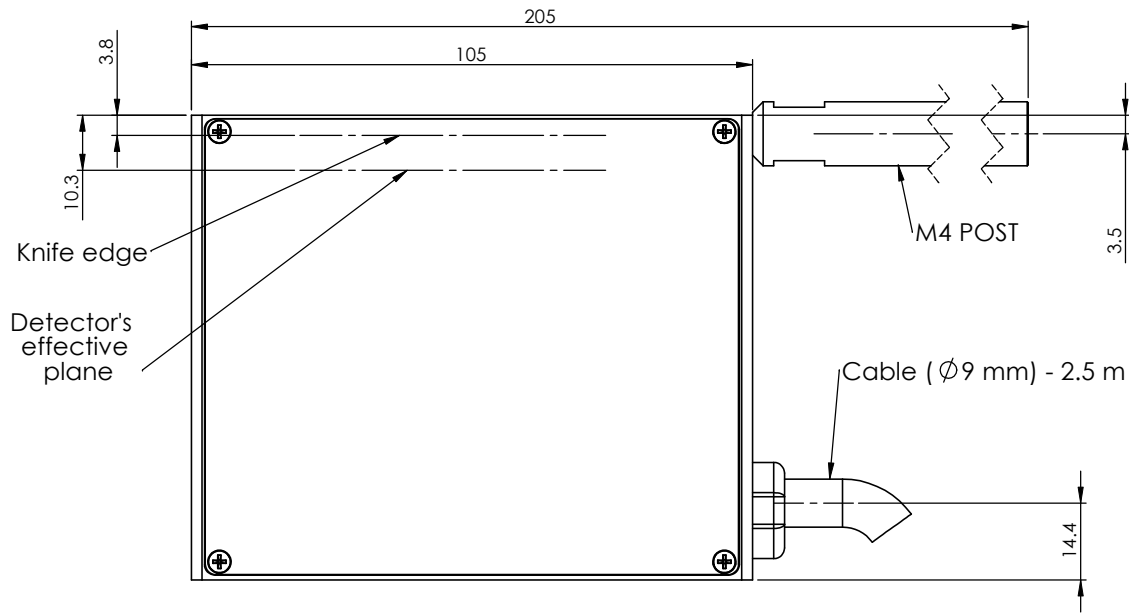
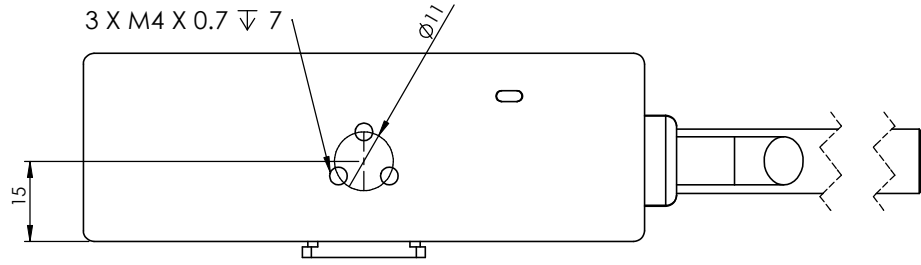
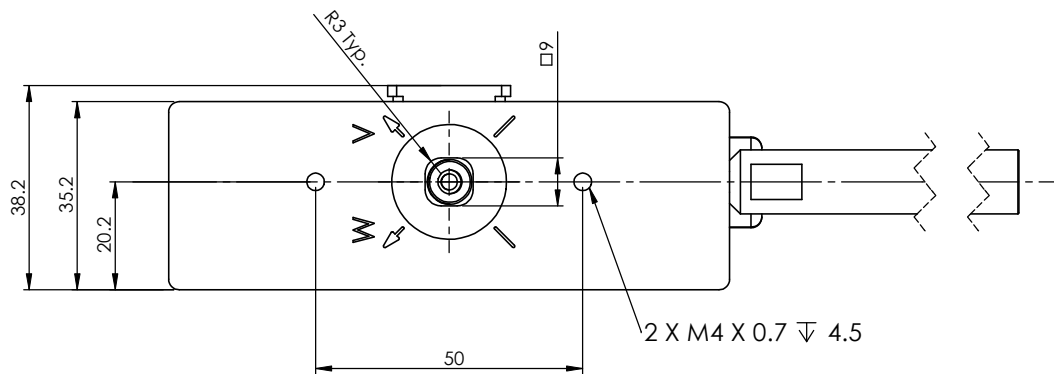


Information only, not for manufacture



Scale 1:2



Tolerances:
Unless otherwise
specified:

Linear: \pm 0.1
Angular: \pm 0.1

Do not scale drawing

DIMENSIONS IN MILLIMETERS (mm) scale 1:1



DUMA OPTRONICS LTD.

TITLE:

BA7 - IR3/ IR3E

DWG NO.

BAN_C_07

	NAME	SIGNATURE	DATE
DRAWN	Yair		21.6.2012
CHKD	Oren		21.6.2012
APPVD	Judith		21.6.2012