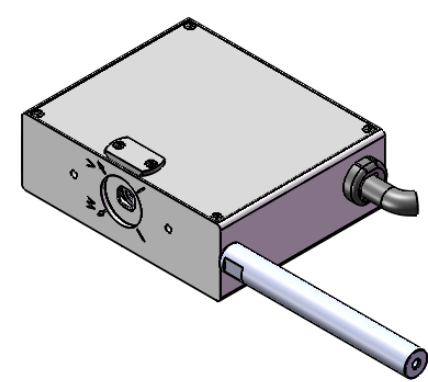
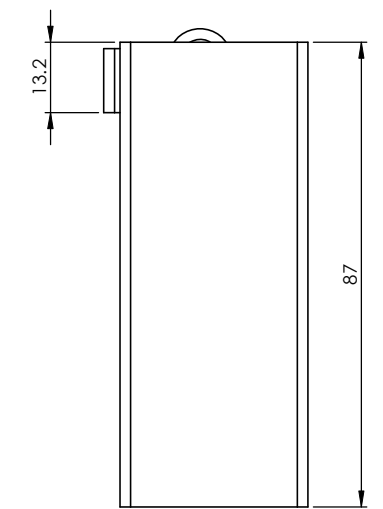
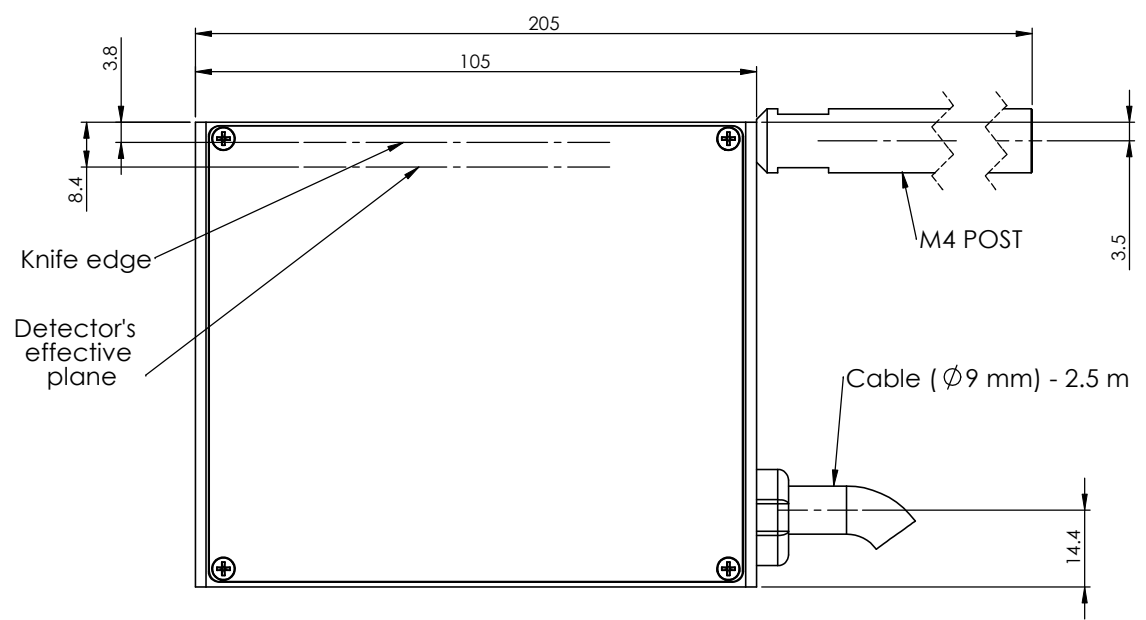
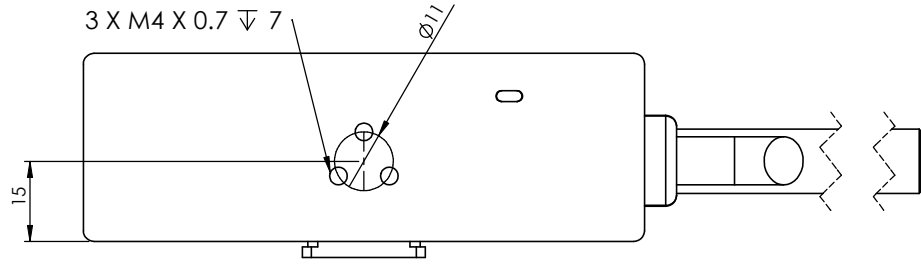
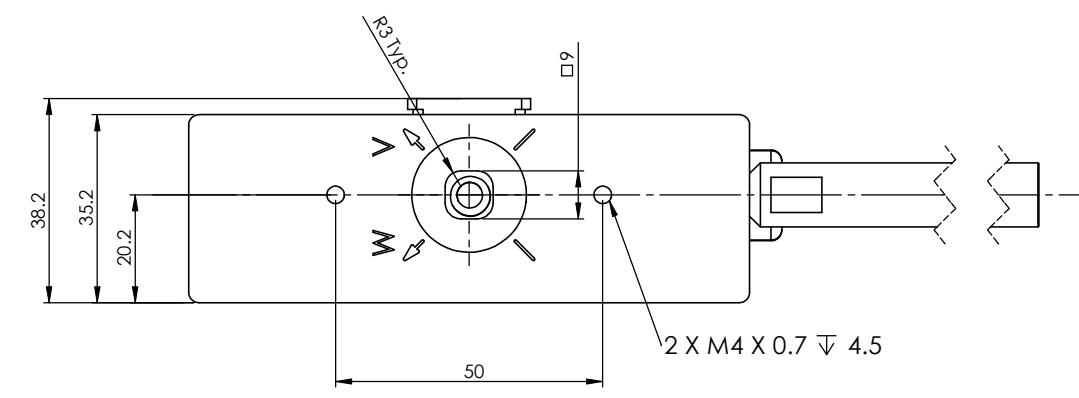



**Information only, not for manufacture**



Scale 1:2



Tolerances: Unless otherwise specified:  Linear: $\pm 0.1$ Angular: $\pm 0.1$				DIMENSIONS IN MILLIMETERS (mm) scale 1:1	
				 <b>DUMA Optronics LTD.</b>	
				TITLE: <b>BA7 - IR5</b>	
				Do not scale drawing	
				DWG NO. BAN_C_08	
DRAWN	Yair	SIGNATURE	DATE		
CHKD	Oren		21.6.2012		
APPVD	Judith		21.6.2012		