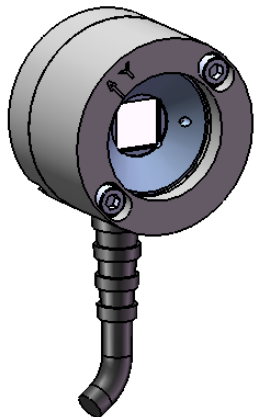
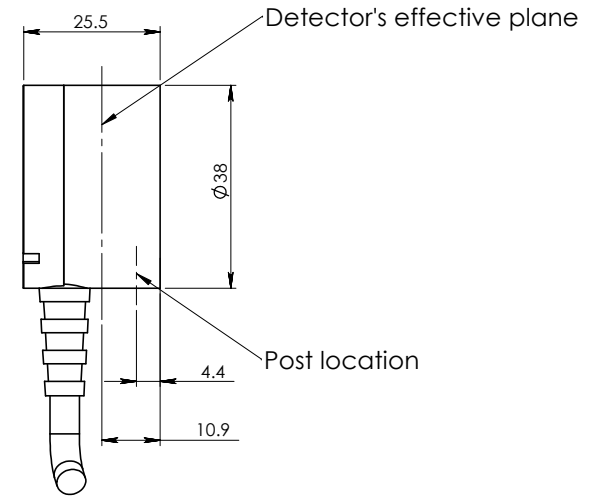
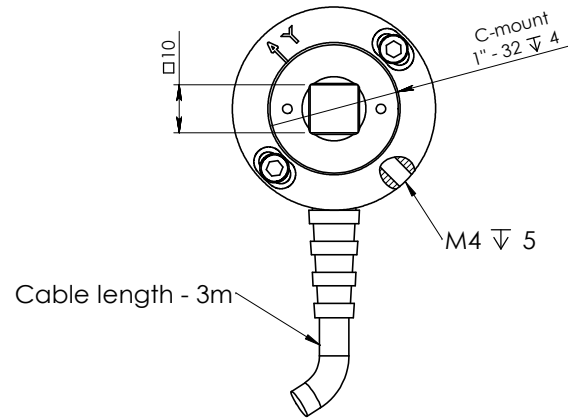



# Information only, not for manufacturing



				DIMENSIONS IN MILLIMETERS (mm)		scale 1:1
				 <b>DUMA OPTRONICS LTD.</b>		
				TITLE:		
				SpotOn head - Q type		
				Do not scale drawing		
				DWG NO.		
				SpotOn_M_03		
				REVISION:		
	NAME	SIGNATURE	DATE			
DRAWN	Yair		27.12.2011			
CHKD	Oren		27.12.2011			
APPVD	Judith		27.12.2011			