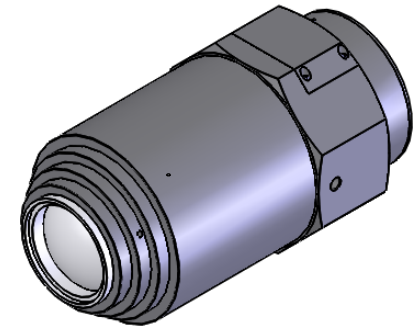
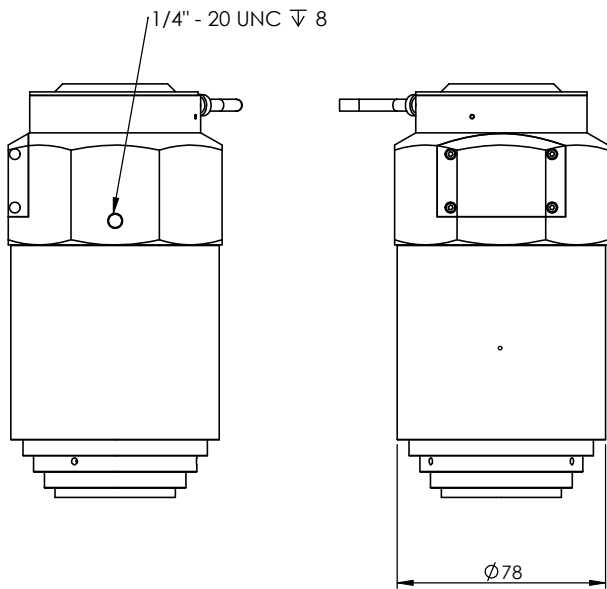
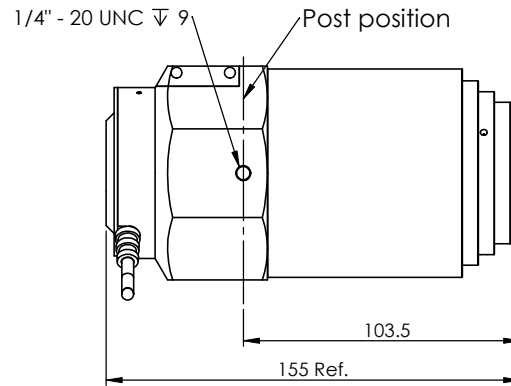
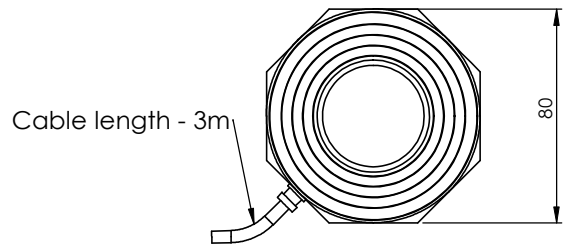
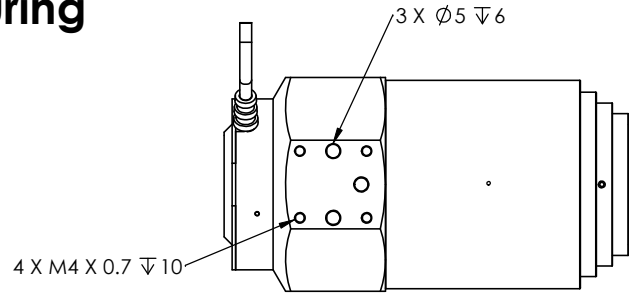



Information only, not for manufacturing



				DIMENSIONS IN MILLIMETERS (mm)		scale 1:2	
				 DUMA OPTRONICS LTD.			
				TITLE: AlignMeter LA			
				Do not scale drawing			
				DWG NO. ALIGN-LA_01			
	NAME	SIGNATURE	DATE				
DRAWN	Yair		8.5.2012				
CHKD	Oren		8.5.2012				
APPVD	Judith		8.5.2012				