

# BeamOn High Power



- Built-in air-cooled sampler
- Industry's most cost-effective device
- Beam measurements down to 100 microns
- Measures accurate position and profile

## Specifications

Beam size range	ø200 µm - ø4.5 mm
Spectral region	350 - 1310 nm
Power range @900/1070 nm	CW 1-2500 W, Pulsed 1 - 1000 W
Maximum power density	100,000 W/cm <sup>2</sup>
CCD focal position	Optical distance from input surface to sensor's active surface is 38.1 ± 0.2 mm
Power from back side of beam sampler	90% of input power
Power measuring	After user's calibration
Dimensions	ø64 mm x 92 mm deep
Cooling Conditions	Pressurized air of 6-8 Bar
Environment Operating Temperature	0 - 35 C
Weight	350 gr with cable

## CCD Specifications

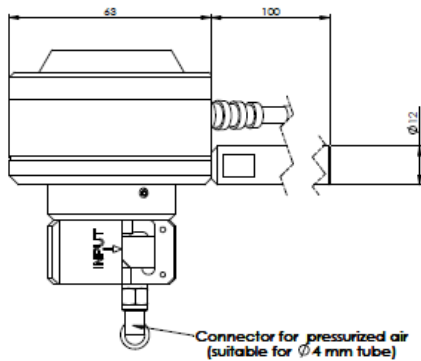
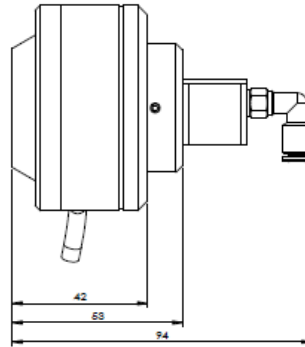
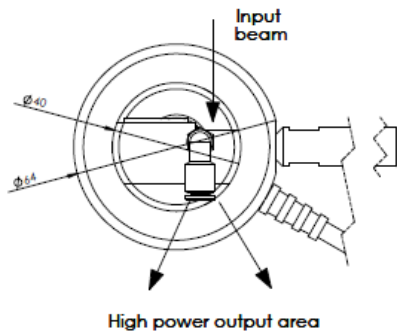
Camera type	Monochrome CCD 1/2" format
Sensor active area	6.47 (w) x 4.83 (h) mm (1/2" compatible)
Pixel size	8.6 µm (H) x 8.3 µm (V)
Power consumption	12 V, 0.9 W
Shutter speed	1/50 s to 1/100,000 sec, 9 steps manually, or automatically
Software controlled gain	6 - 60 dB manually, or automatic, 16 steps
Maximum frame rate	25 Hz
Null	In CW mode, null function is available to automatically subtract background
Operation with pulsed lasers	Ability to capture and replay pictures and statistics from a slowly pulsing laser (1-100 Hz) while filtering out frames with no laser pulse. Gain control and external filters make it easy to obtain optimum intensity
Trigger	In pulsed mode, sliding bar control allows setting of threshold so as to display only frames with captured pulses
Max. frequency for single pulse display	10 kHz

## Ordering Information

**BEAMON-HP:** built-in beam sampler, pressurized air-cooling.

## DUMA OPTRONICS LTD.

# BeamOn High Power



**DUMA OPTRONICS LTD.**