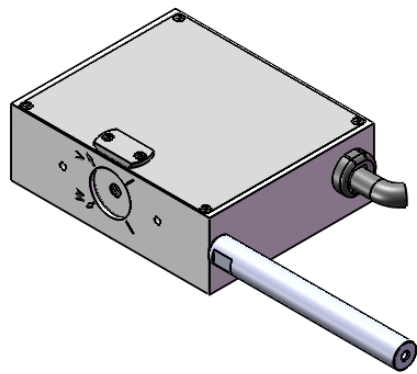
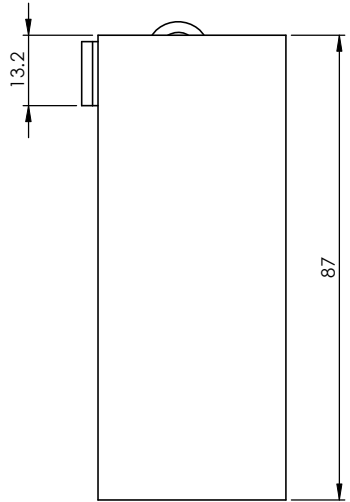
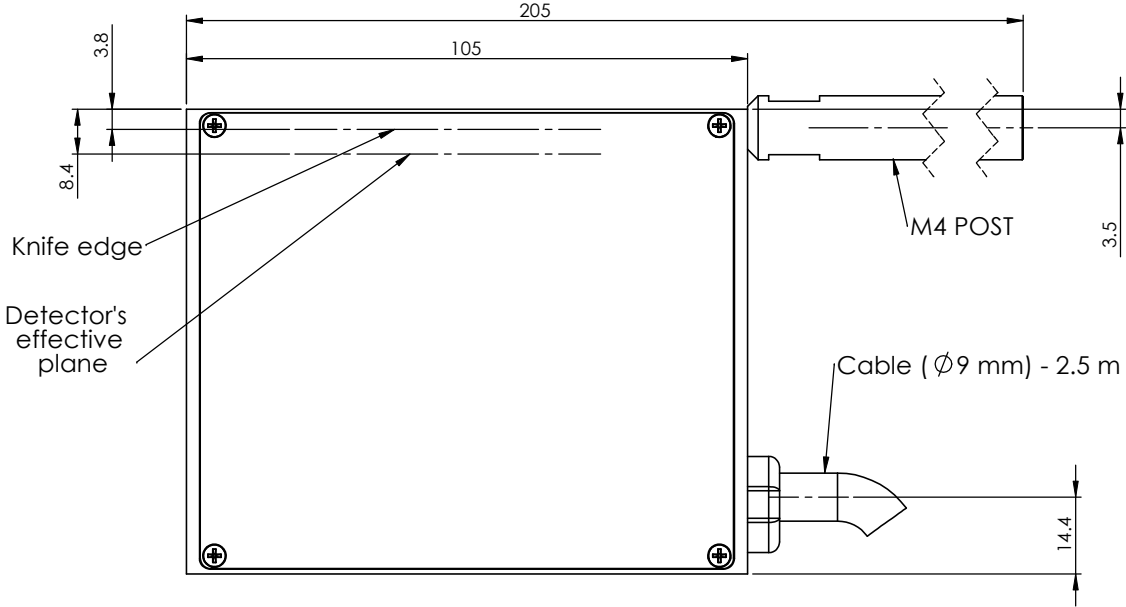
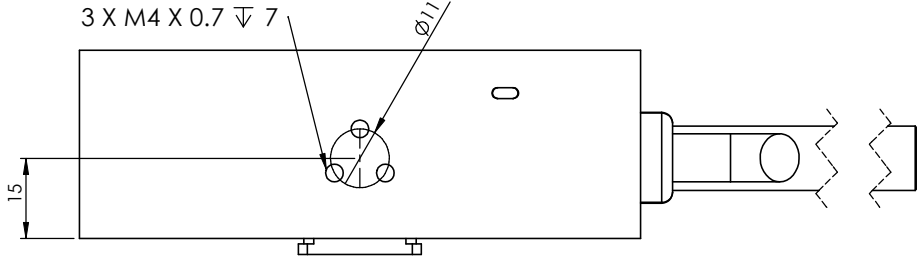
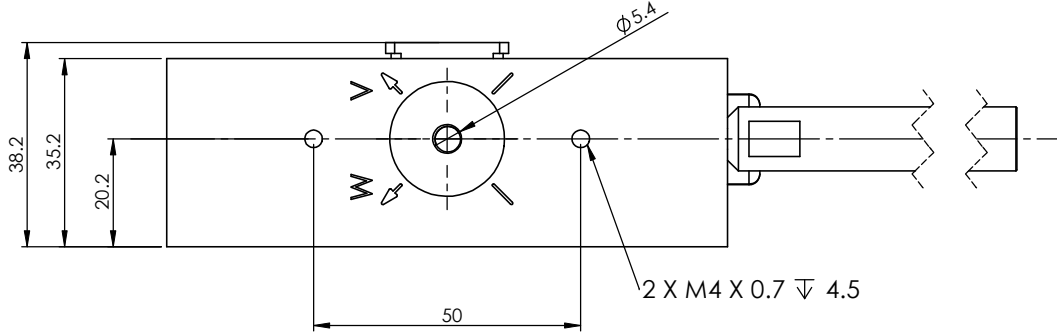


Information only, not for manufacture



Scale 1:2



Tolerances:
 Unless otherwise
 specified:

Linear: \pm 0.1
 Angular: \pm 0.1

Do not scale drawing

DIMENSIONS IN MILLIMETERS (mm) scale 1:1



TITLE:
BA3 - IR5

DWG NO.
 BAN_C_04

| | NAME | SIGNATURE | DATE |
|-------|--------|-----------|-----------|
| DRAWN | Yair | | 21.6.2012 |
| CHKD | Oren | | 21.6.2012 |
| APPVD | Judith | | 21.6.2012 |