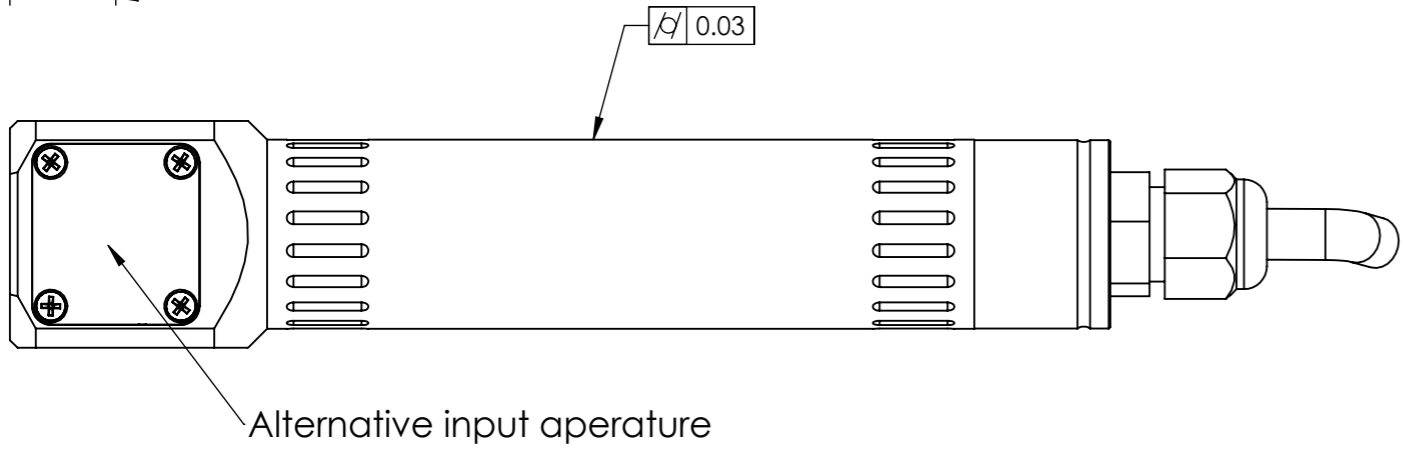
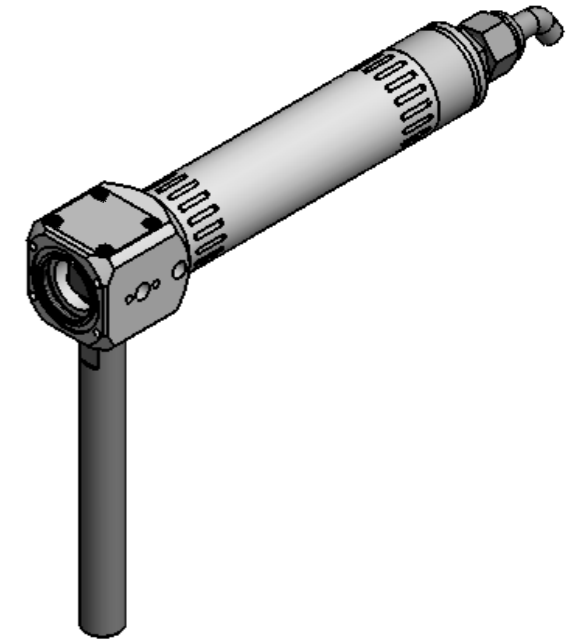
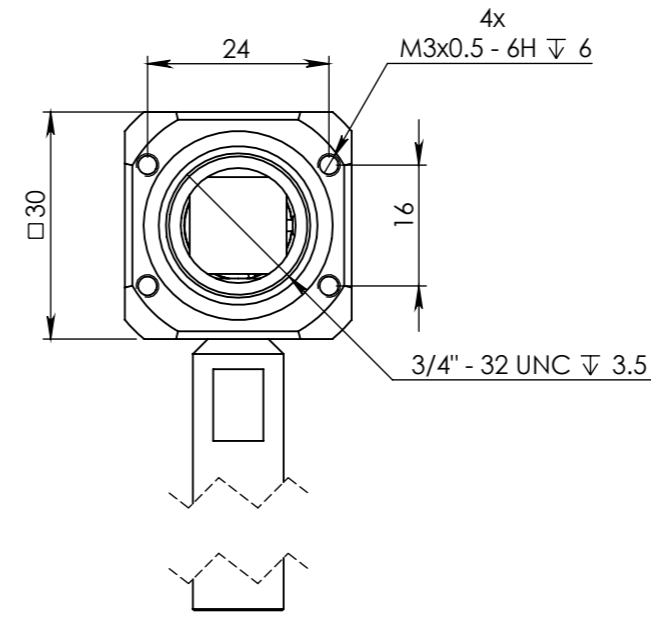
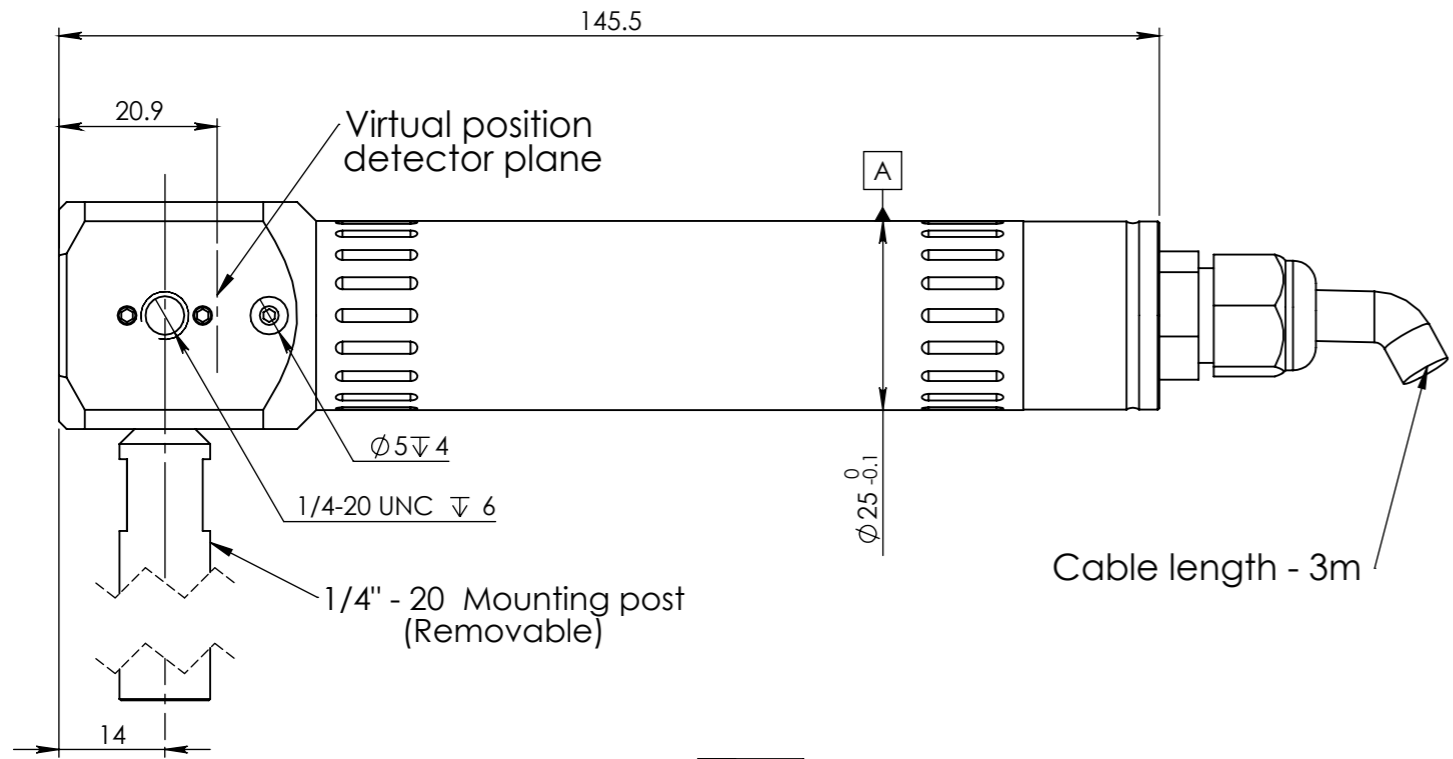
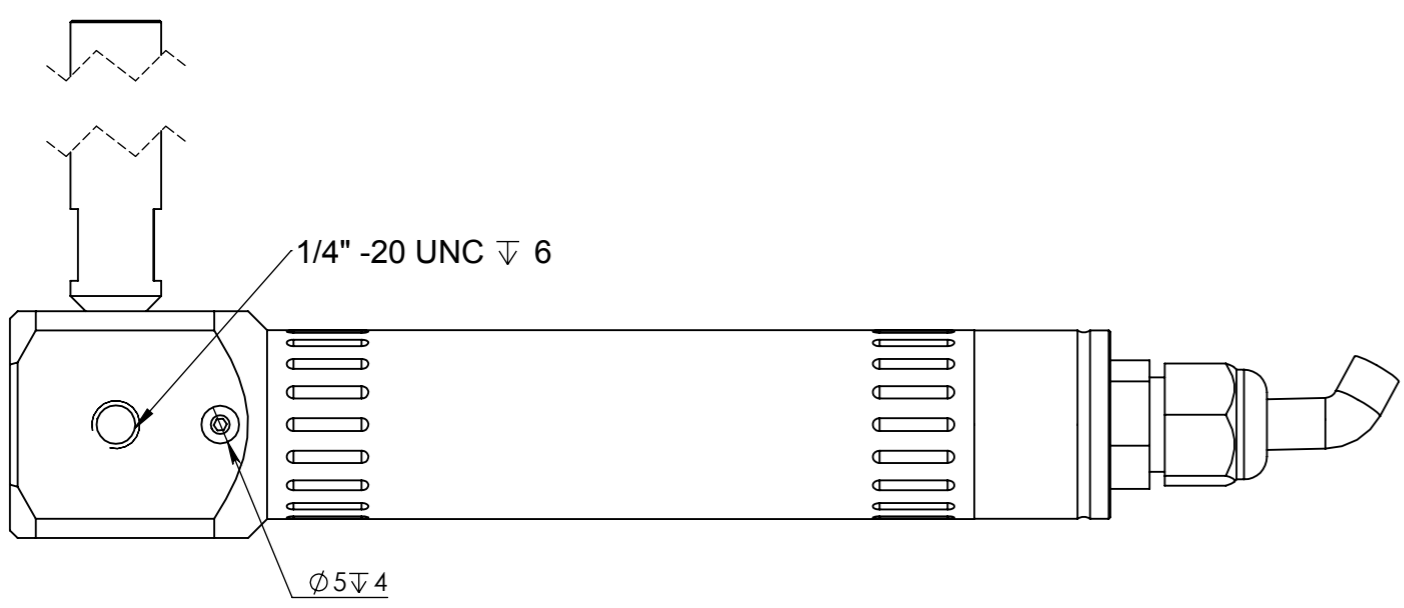


Information only, not for manufacturing



- Position detector center to **A** : $\pm 10 \mu\text{m}$
- Angle detector center to **A** : $\pm 50 \mu\text{rad}$



				DIMENSIONS IN MILLIMETERS (mm)		scale 1:1	
				TITLE: Alignmeter-USB-100			
				Do not scale drawing			
				DWG NO. ALIGN-100_M_01			
				REVISION: 01			
	NAME	SIGNATURE	DATE				
DRAWN	Dan		5.2.2018				
CHK'D	Oren		5.2.2018				
APPV'D	Judith		5.2.2018				