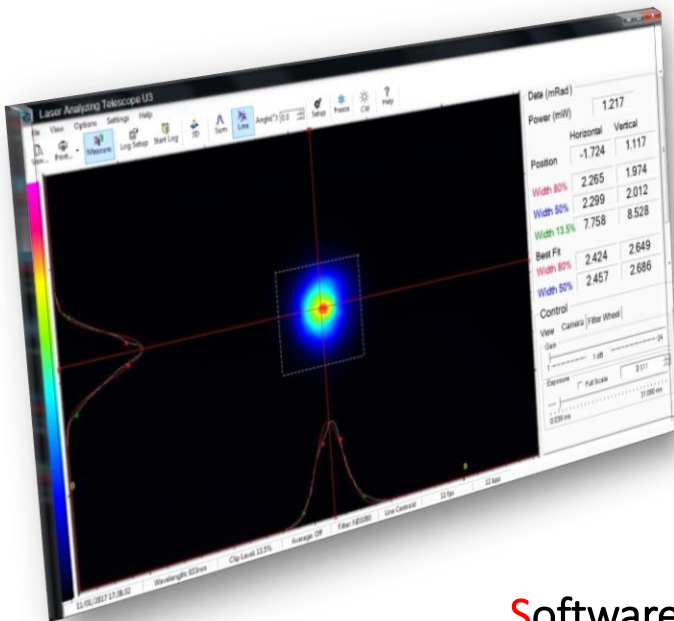


# BeamOn 8 MegaPixel

- Industry's highest pixel density
- Extremely cost effective
- 1.4 um pixel size at full resolution
- 4.6 x 3.5 Image Sensor Size
- Best solution for miniature beams
- Down to 20 micron beam size
- Full range of attachments available
- Built-in filter wheel (optional)
- Profiles analysis according to ISO standards



## Software Features

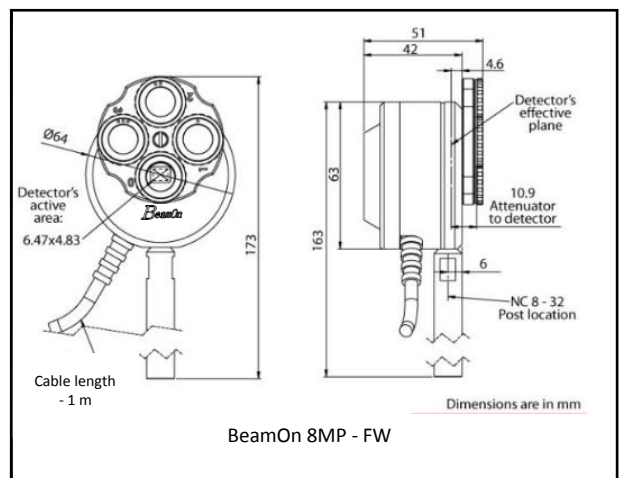
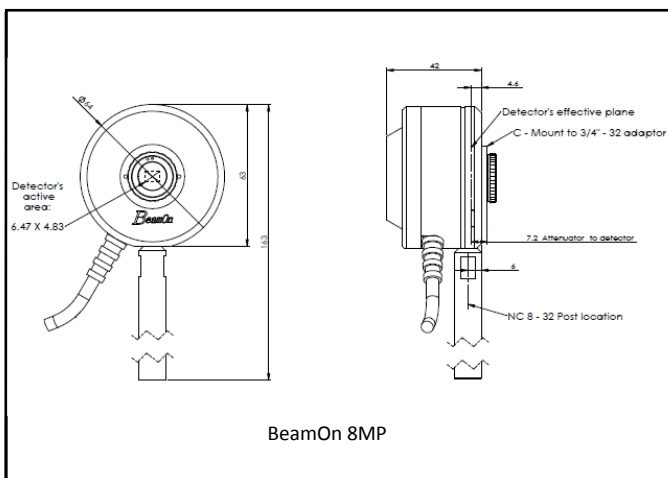
- Beam width techniques - Second moment, Gauss fit, Knife edge, etc.
- Statistics
- Pointing Stability
- Beam Divergence Calculation
- Save/retrieve functions
- Logging
- Power in the bucket
- Customer set pass/fail criteria
- Zooming and cropping
- User friendly GUI

***New! Low Cost Version***

**DUMA OPTRONICS LTD.**

# BeamOn 8 MegaPixel

Model	BeamOn 8MP – FW (with Filter Wheel)	BeamOn 8MP
Sensor	CMOS	
Pixel Size	1.4 $\mu$ m	
Image area	4.6 mm x 3.5 mm	
Max. Resolution	3264(H) X 2448(V) 8 MegaPixel	
Min. measurable beam size	20 micron	
Wavelength Range	350 – 1100 nm	
Sensitivity	$\sim$ 1.6 nWatt/mm <sup>2</sup> @ 405 nm $\sim$ 1.2 nWatt/mm <sup>2</sup> @ 633 nm $\sim$ 0.5 mWatt/mm <sup>2</sup> @ 1310 nm	
Saturation	$\sim$ 4.5 $\mu$ Watt/mm <sup>2</sup> @ 405 nm $\sim$ 5 $\mu$ Watt/mm <sup>2</sup> @ 633 nm	
Shutter Type	Electronic rolling shutter	
Adjustable parameters	Exposure, Image Size	
Frame Rate	Up to 25 Hz (depending on image size)	
Damage Threshold	50 watt/cm <sup>2</sup> with all filters	
Supplied Filters*	NG 4/NG 9/NG 10	NG 4/ NG 9 (choose 1)
Connecting Port type	USB2.0 High Speed	
Power supply	5V DC via USB	
Current Consumption	240mA	
Working Temperature	-10 ° C ~ 70° C	
Storage Temperature	-20 ° C ~ 85° C	
Available Accessories	Beam reducer $\sim$ X2, allowing larger beams measurements High power beam samplers, up to 1 kWatt C-Mount accessories for lens mounting Filter Wheel 50/100 mm Hood	
Windows Operating System	XP/7/8/10	
Free Drive Protocol	DLL	



## DUMA OPTRONICS LTD.