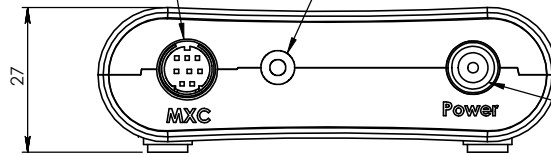


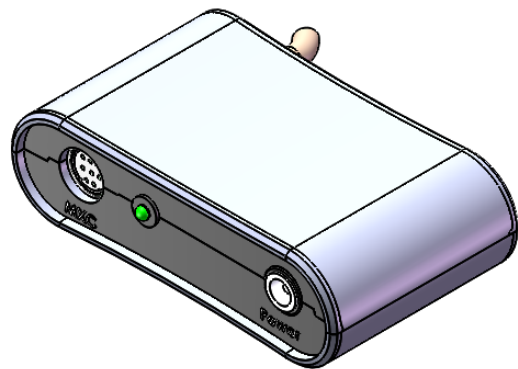
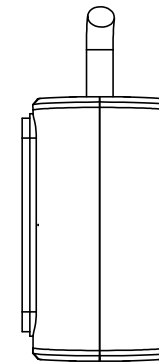
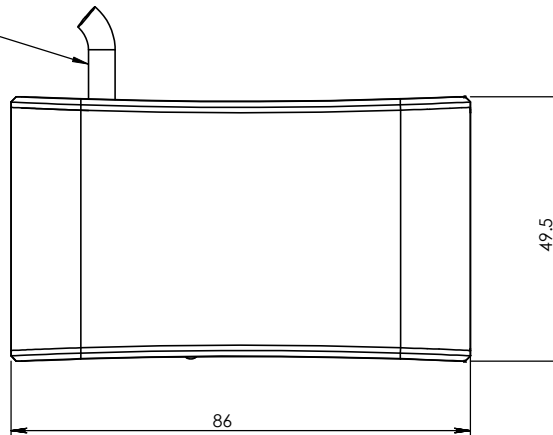
MXC connector for CCD camera


Green led noting system's readiness



Optional power connector 5V DC

1.8 m USB cable



|       |        |           |           |  |  |           |  |
|-------|--------|-----------|-----------|--|--|-----------|--|
|       |        |           |           | DIMENSIONS IN MILLIMETERS (mm)   |  | scale 1:1 |  |
|       |        |           |           |  <b>DUMA OPTRONICS LTD.</b> |  |           |  |
|       |        |           |           | TITLE: USB attachment for BeamOn   |  |           |  |
|       |        |           |           | DWG NO. BON_C_02   |  |           |  |
|       |        |           |           | REVISION:  |  |           |  |
|       |        |           |           | Do not scale drawing   |  |           |  |
|       | NAME   | SIGNATURE | DATE      |  |  |           |  |
| DRAWN | Yair   |           | 28.2.2012 |  |  |           |  |
| CHKD  | Oren   |           | 28.2.2012 |  |  |           |  |
| APPVD | Judith |           | 28.2.2012 |  |  |           |  |