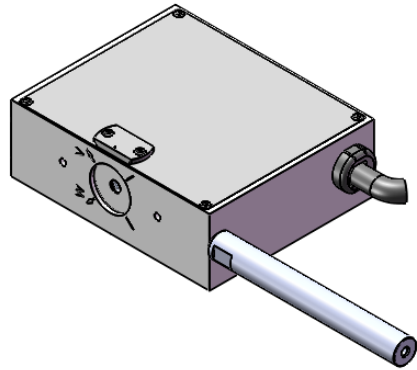
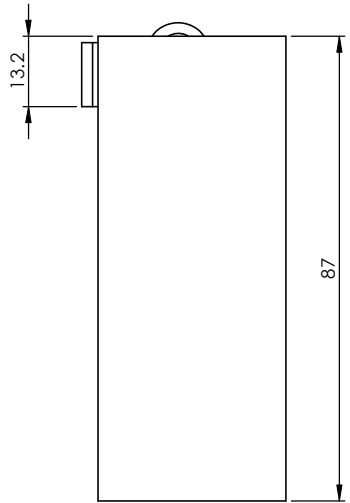
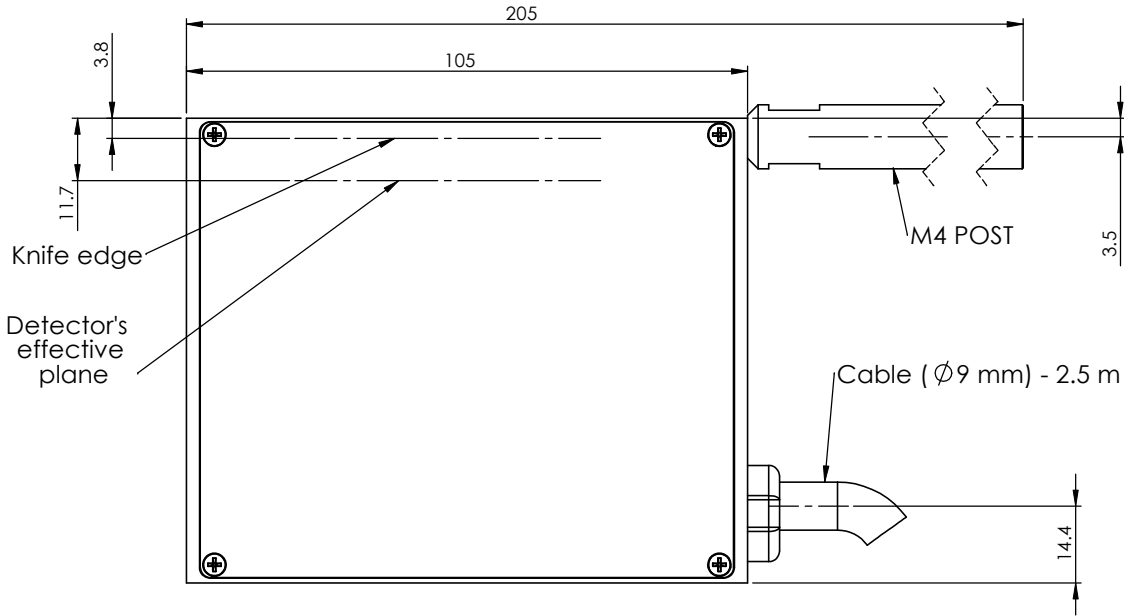
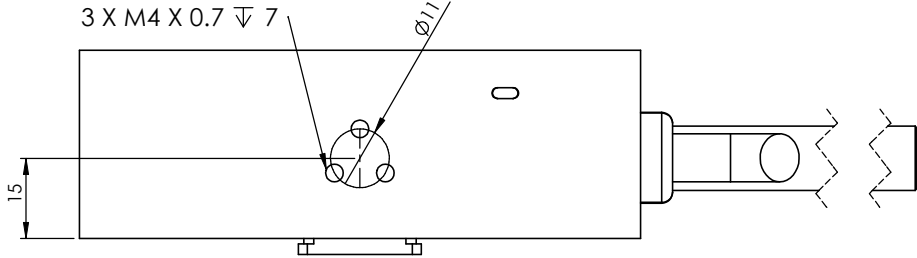
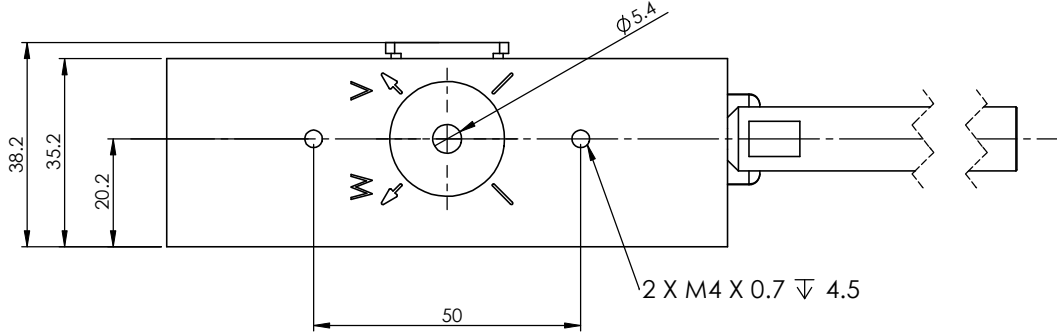


# Information only, not for manufacture



Scale 1:2



Tolerances:  
 Unless otherwise  
 specified:

Linear:  $\pm$ 0.1  
 Angular:  $\pm$ 0.1

Do not scale drawing

	NAME	SIGNATURE	DATE
DRAWN	Yair		21.6.2012
CHKD	Oren		21.6.2012
APPVD	Judith		21.6.2012

DIMENSIONS IN MILLIMETERS (mm) scale 1:1



TITLE:  
**BA3 - Si**

DWG NO.  
 BAN\_C\_01