

TDI Camera C10000-801

Time Delay Integration Camera



The C10000-801 TDI camera is useful for a wide range of imaging applications requiring high speed operation with high sensitivity simultaneously. TDI is a special image acquisition method that has been used extensively in machine vision applications for industrial inspection. TDI imaging is appropriate for applications where it is desired to record a linear process over time, or where the aspect ratio of the subject being imaged is significantly asymmetric. TDI is particularly useful for low light level scanning applications for which a typical line scan camera can not make a useful image. Also, frame readout mode is available for easy focusing.

FEATURES

- **High resolution / high sensitivity**
(Horizontal spatial resolution with 128(V) TDI stages)
- 2048(H) × 128 (V) , 4 TAP
- **Line rate up to 50 kHz**
- **High speed imaging combined with high sensitivity and low noise**
- **Great spectral response for UV-NIR with back thinned CCD**
- **100× anti-blooming with lateral overflow drain**
- **Dynamic range of 1600 : 1**
- **12 bit / 8 bit selectable A/D converter**
- **Bidirectional scanning operation**
- **Frame readout mode for easy focusing**
- **Real time shading correction with internal DSP**

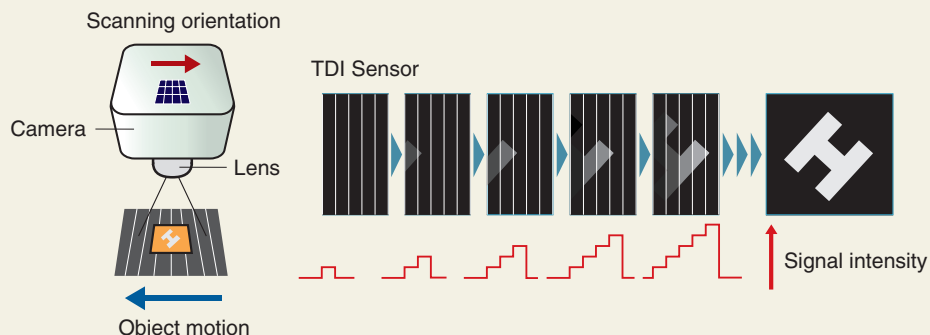
APPLICATIONS

- **High speed imaging for low light applications**
i.e. fluorescence imaging
- **Electronics manufacturing and inspection**
- **Semiconductor inspection**
- **High speed scanning for a large size sample**
i.e. flat panel displays

OPERATING PRINCIPLE OF TDI

TDI (Time Delay Integration):

Time Delay Integration is a scanning technology in which a frame transfer device produces a continuous video image of a moving object by means of a stack of linear arrays aligned with and synchronized to the motion of the object to be imaged in such a way that, as the image moves from one line to the next, the integrated charge moves along with it, providing higher resolution at lower light levels than is possible with a line-scan camera.



SPECIFICATIONS

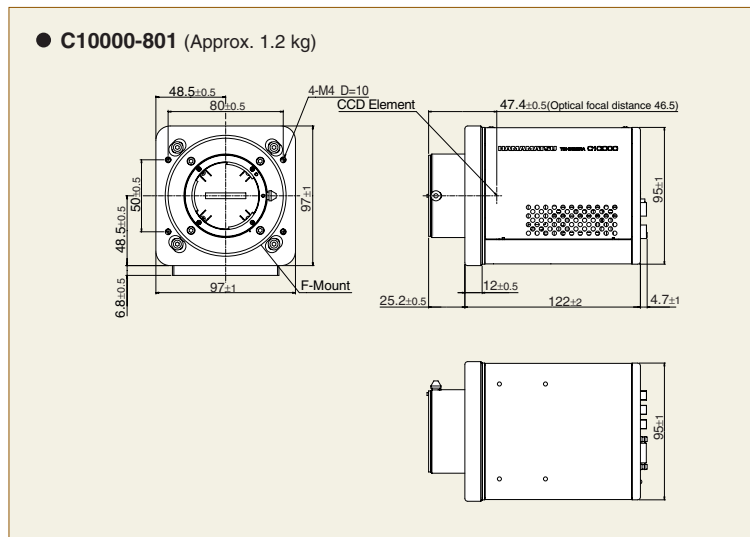
Type number	C10000-801
Pixel number	2048 (H) × 128 (V)
Device structure	Back thinned type
Cell size	12 μm(H) × 12 μm(V)
Effective area	24.58 mm(H) × 1.536 mm(V)
Readout mode	TDI readout mode or frame readout mode*1
TDI transfer direction	Bidirectional transfer
TDI output channel	4 TAP (512 × 4)
Anti-blooming	Lateral overflow drain (100×)
TDI pixel clock rate	30 MHz
TDI line rate	0.45 kHz to 50 kHz
TDI line rate control	Internal setting by serial command*2 / External trigger
Full-well capacity (typ.)	80 000 electrons
Readout noise (typ.)	50 electrons rms
Dynamic range (typ.)	1600 : 1
Binning	2 × 2, 4 × 4
Analog enhancement gain	1 time to 5 times (16 steps)
A/D converter	12 bit / 8 bit *3
Image processing	Real-time shading correction
Interface	Base Configuration
Camera control	Serial control in Camera Link
Camera output clock	60 MHz
Camera output channel	2 TAP (1024 × 2)
Camera Link connector	Mini-Camera Link (SDR) × 1
Lens mount	F-mount
Power requirements	AC100 V to AC240 V, 50 Hz/60 Hz
Power consumption	Approx. 55 VA
Ambient storage temperature	-10 °C to +50 °C
Ambient operating temperature	0 °C to +40 °C
Ambient operating humidity	70 % max. (with no condensation)

*1 Frame readout mode is useful for easy focusing, but it is not suitable for measurement. Please consult with our sales office for details.

*2 Internal TDI line rate is set by 33 ns step.

*3 Selectable by serial command

DIMENSIONAL OUTLINES (Unit : mm)



- ★ **Product and software package names noted in this documentation are trademarks or registered trademarks of their respective manufacturers.**
- Subject to local technical requirements and regulations, availability of products included in this promotional material may vary. Please consult your local sales representative.
 - Information furnished by HAMAMATSU is believed to be reliable. However, no responsibility is assumed for possible inaccuracies or omissions. Specifications and external appearance are subject to change without notice.

© 2013 Hamamatsu Photonics K.K.

HAMAMATSU PHOTONICS K.K. www.hamamatsu.com

HAMAMATSU PHOTONICS K.K., Systems Division

812 Joko-cho, Higashi-ku, Hamamatsu City, 431-3196, Japan, Telephone: (81)53-431-0124, Fax: (81)53-435-1574, E-mail: export@sys.hpk.co.jp

U.S.A.: Hamamatsu Corporation: 360 Foothill Road, Bridgewater, N.J. 08807-0910, U.S.A., Telephone: (1)908-231-0960, Fax: (1)908-231-1218 E-mail: usa@hamamatsu.com

Germany: Hamamatsu Photonics Deutschland GmbH: Arzbergerstr. 10, D-82211 Herrsching am Ammersee, Germany, Telephone: (49)8152-375-0, Fax: (49)8152-2658 E-mail: info@hamamatsu.de

France: Hamamatsu Photonics France S.A.R.L.: 19, Rue du Saule Trapu, Parc du Moulin de Massy, 91882 Massy Cedex, France, Telephone: (33)1 69 53 71 00, Fax: (33)1 69 53 71 10 E-mail: infos@hamamatsu.fr

United Kingdom: Hamamatsu Photonics UK Limited: 2 Howard Court, 10 Tewin Road, Welwyn Garden City, Hertfordshire AL7 1BW, United Kingdom, Telephone: (44)1707-294888, Fax: (44)1707-325777 E-mail: info@hamamatsu.co.uk

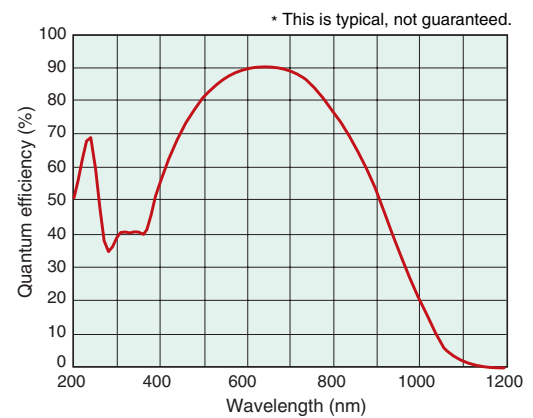
North Europe: Hamamatsu Photonics Norden AB: Torshamnsgatan 35 SE-164 40 Kista, Sweden, Telephone: (46)8-509-031-00, Fax: (46)8-509-031-01 E-mail: info@hamamatsu.se

Italy: Hamamatsu Photonics Italia S.r.l.: Strada della Moia, 1 int. 6, 20020 Arese (Milano), Italy, Telephone: (39)02-93581733, Fax: (39)02-93581741 E-mail: info@hamamatsu.it

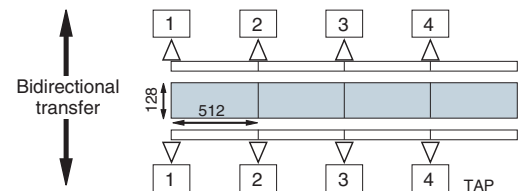
China: Hamamatsu Photonics (China) Co., Ltd.: B1201 Jiaming Center, No.27 Dongsanhuan Beilu, Chaoyang District, Beijing 100020, China, Telephone: (86)10-6586-6006, Fax: (86)10-6586-2866 E-mail: hpc@hamamatsu.com.cn

Cat. No. SCAS0085E02
SEP/2013 HPK
Created in Japan

SPECTRAL RESPONSE



TDI SENSOR STRUCTURE



OPTIONS

- SMA-BNC External trigger cable A12106-05
- SMA-SMA External trigger cable A12107-05
- Camera Link cable (5 m) A10514-05