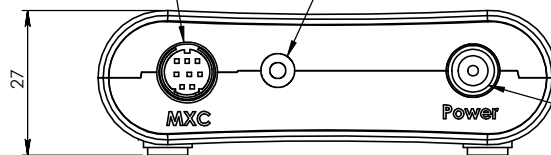


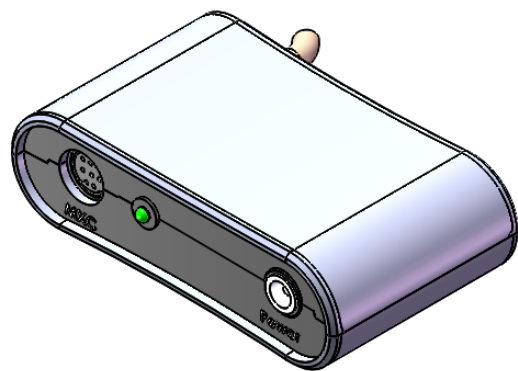
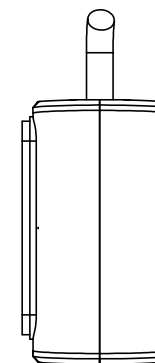
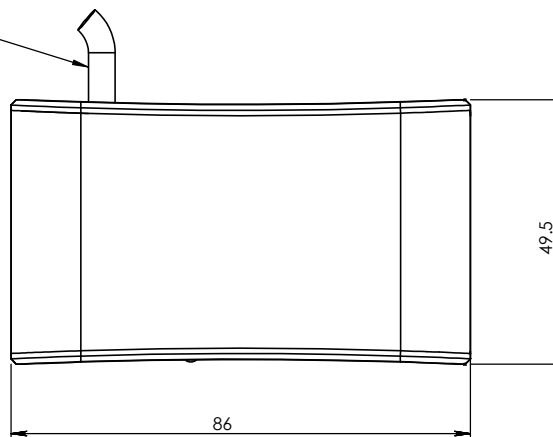
MXC connector for CCD camera


Green led noting system's readiness



Optional power connector 5V DC

1.8 m USB cable



				DIMENSIONS IN MILLIMETERS (mm)		scale 1:1	
				 DUMA OPTRONICS LTD.			
				TITLE: USB attachment for Electronic Autocollimator			
				Do not scale drawing			
				DWG NO. USB_A_01			
				REVISION:			
	NAME	SIGNATURE	DATE				
DRAWN	Yair		28.2.2012				
CHKD	Oren		28.2.2012				
APPVD	Judith		28.2.2012				