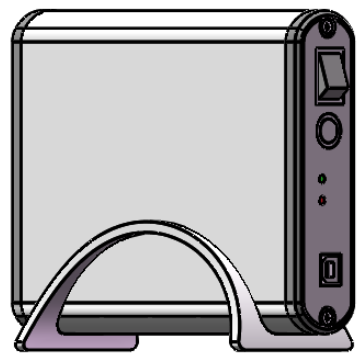
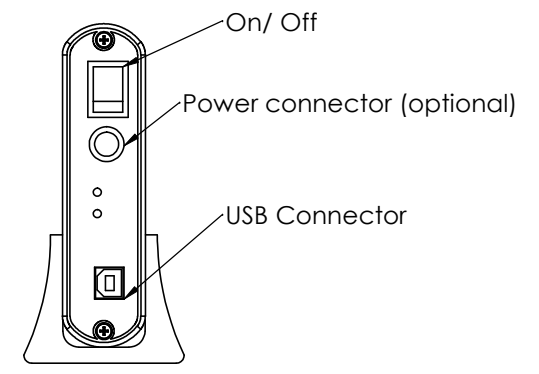
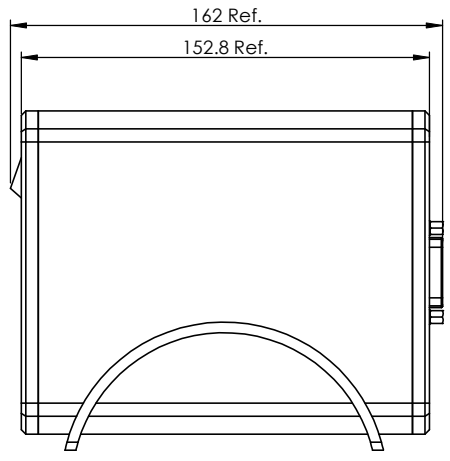
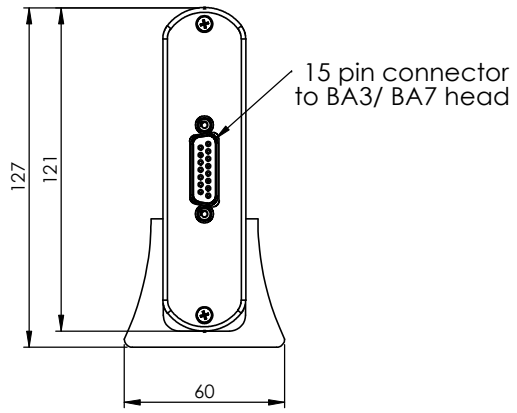


Information only, not for manufacture



Tolerances:
Unless otherwise specified:

Linear: ± 0.1
Angular: ± 0.1

Do not scale drawing

DIMENSIONS IN MILLIMETERS (mm) scale 1:2



TITLE: Manifold box
- Beam analyzer USB

DWG NO. MAN_BAN_C_01

	NAME	SIGNATURE	DATE
DRAWN	Yair		21.6.2012
CHKD	Oren		21.6.2012
APPVD	Judith		21.6.2012