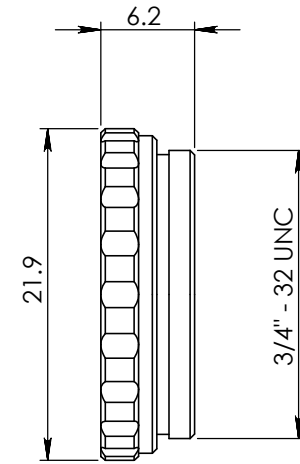
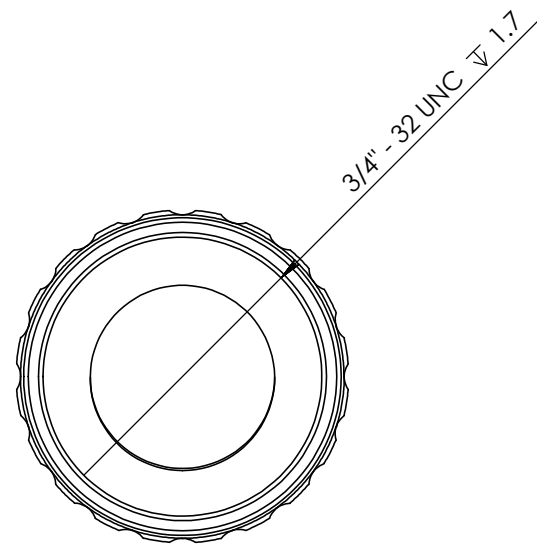



Information only, not for manufacturing



Note:

Filter is optional to be one of the following: NG4, NG9 or NG10.

				DIMENSIONS IN MILLIMETERS (mm)		scale 2:1	
				 DUMA OPTRONICS LTD.			
				TITLE: Alignmeter 50 - accessories: ND filter in housing			
				DWG NO. ALIGN-50_M_02			
				REVISION:			
				Do not scale drawing			
	NAME	SIGNATURE	DATE				
DRAWN	Yair		1.4.2012				
CHK'D	Oren		1.4.2012				
APPV'D	Judith		1.4.2012				