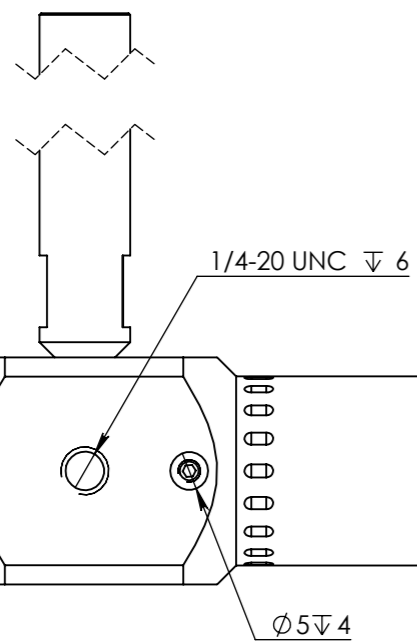
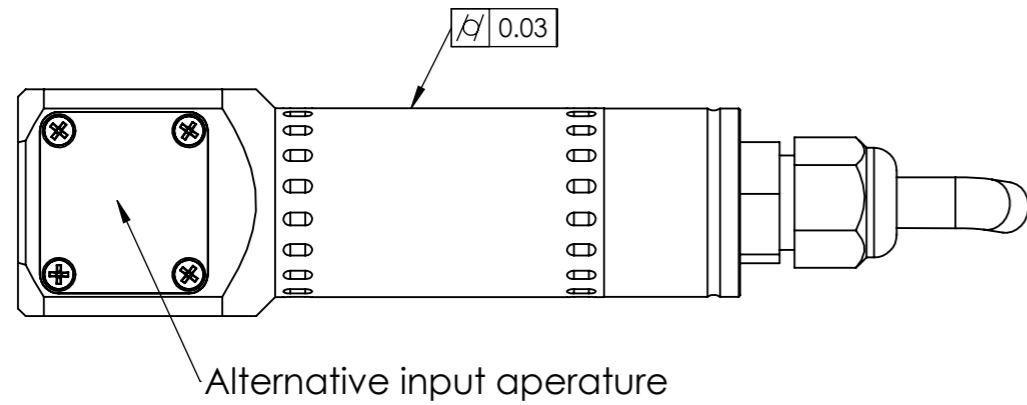
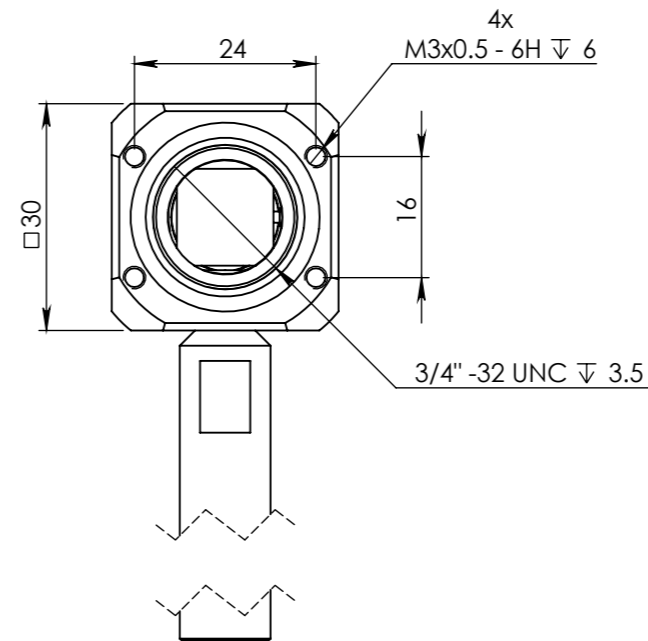
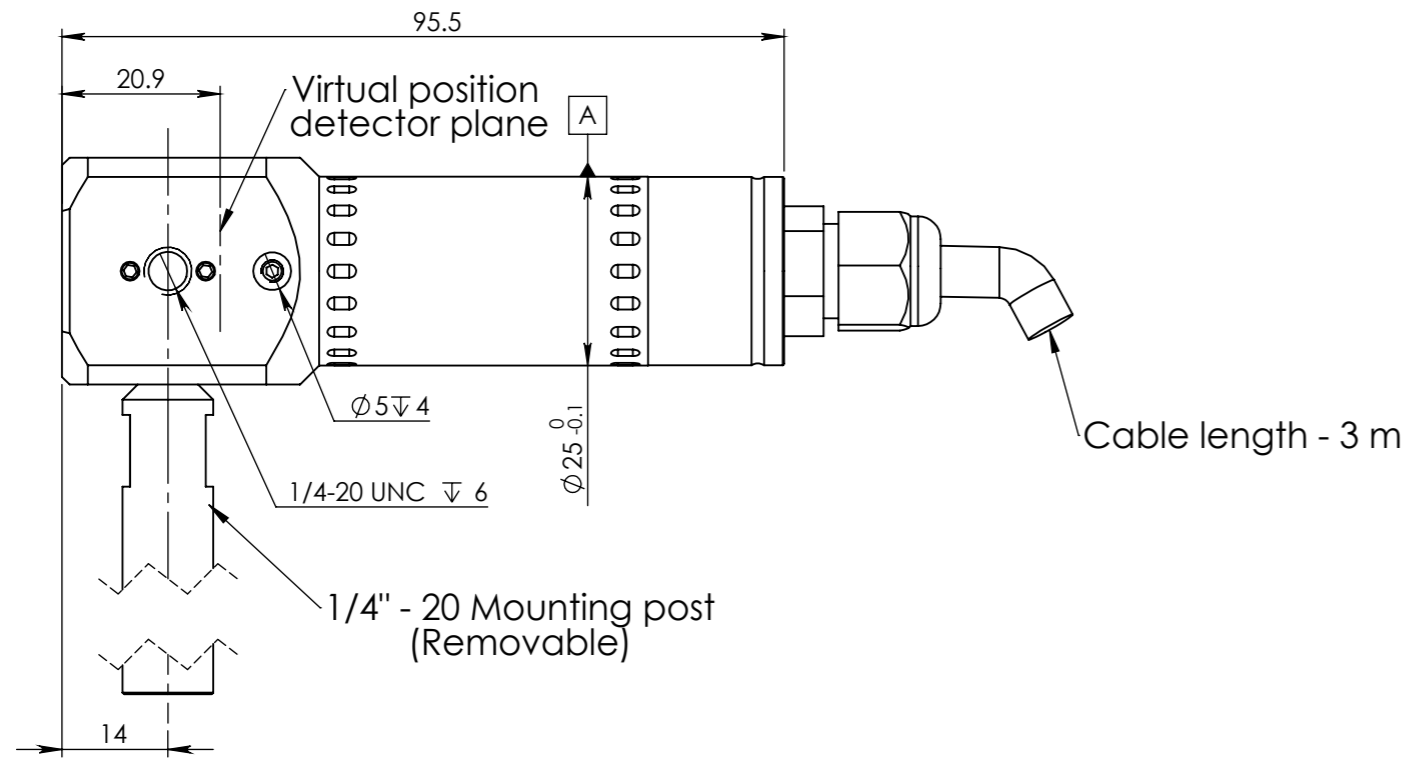



Information only, not for manufacturing



- Position detector center to A : $\pm 10 \mu\text{m}$
- Angle detector center to A : $\pm 50 \mu\text{rad}$

				DIMENSIONS IN MILLIMETERS (mm)		scale 1:1	
				 DUMA OPTRONICS LTD.			
				TITLE: Alignmeter-USB-50			
				Do not scale drawing			
	NAME	SIGNATURE	DATE				
DRAWN	Dan		5.2.2018				
CHK'D	Oren		5.2.2018				
APPV'D	Judith		5.2.2018				
				DWG NO.		ALIGN-50_M_01	
				REVISION:		01	