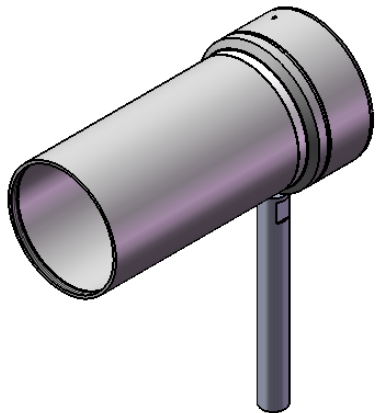
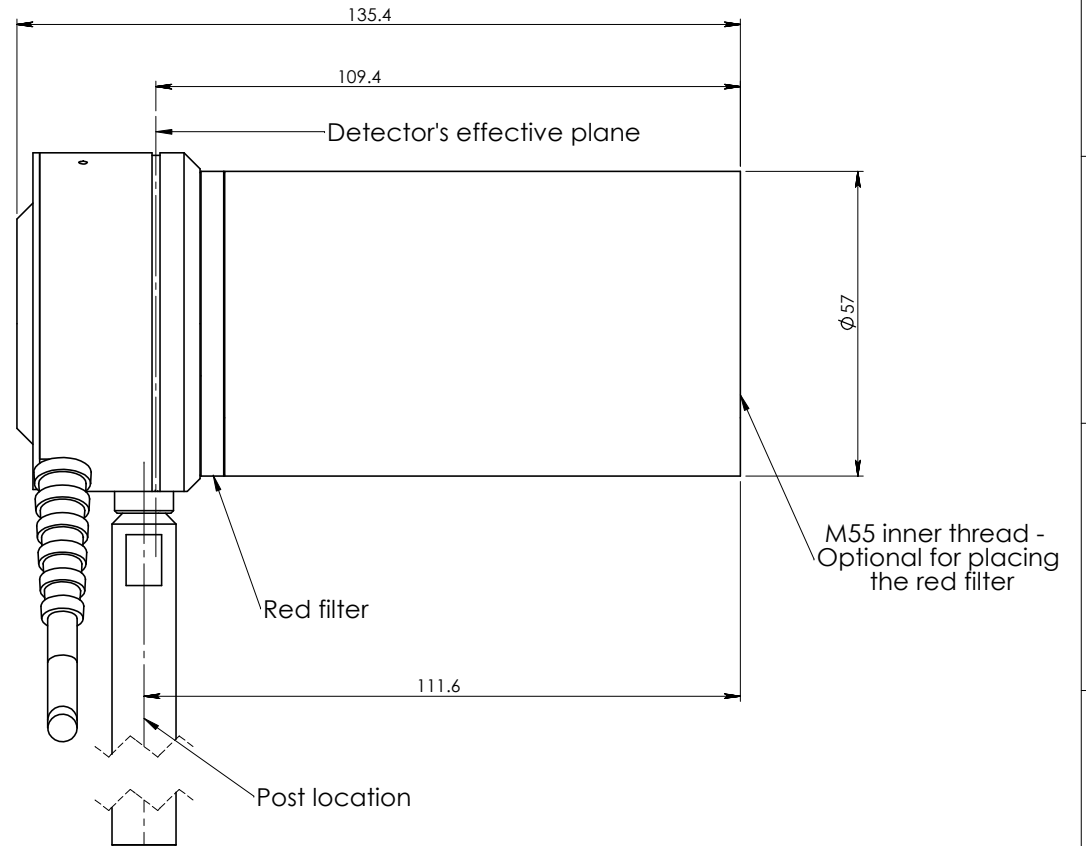
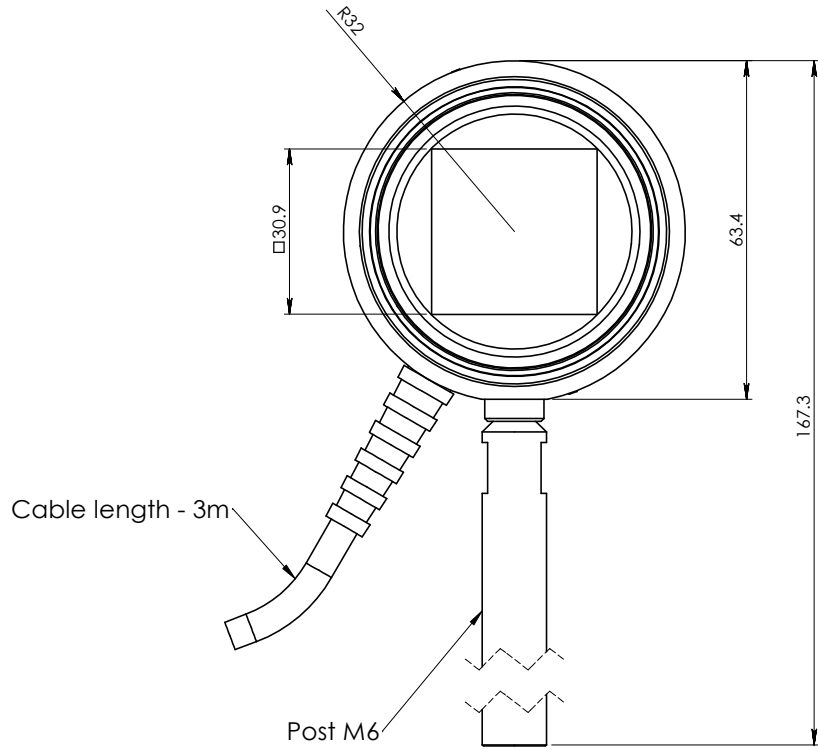



Information only, not for manufacturing



SCALE 1: 2

				FINISH:		DIMENSIONS IN MILLIMETERS (mm)		scale 1:1	
						 DUMA OPTRONICS LTD.			
						TITLE:		SpotOn head - L44 type	
				Do not scale drawing		DWG NO.		SpotOn_M_07	
	NAME	SIGNATURE	DATE			REVISION:			
DRAWN	Yair		27.12.2011						
CHKD	Oren		27.12.2011						
APPVD	Judith		27.12.2011	MATERIAL:					
								SHEET 7 OF 8	
								A3	