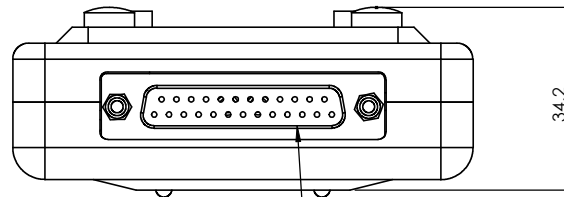
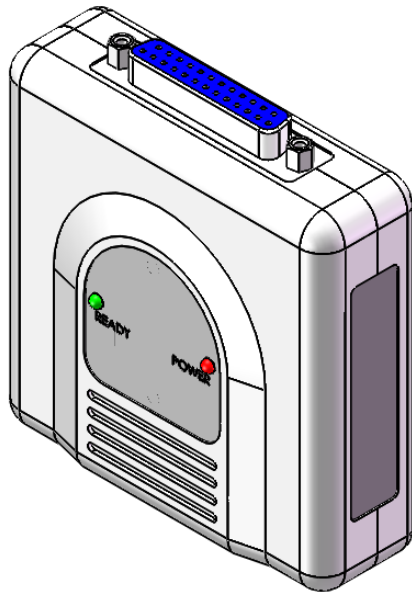
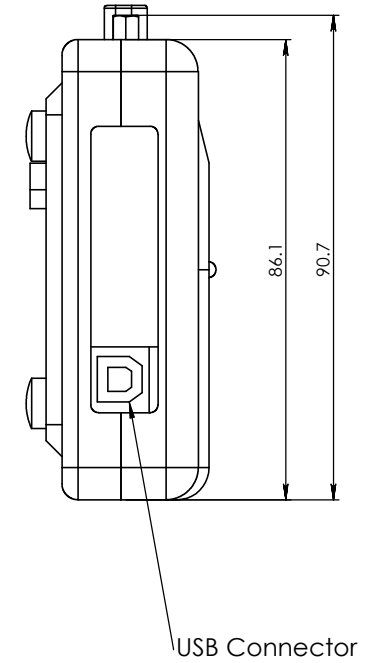
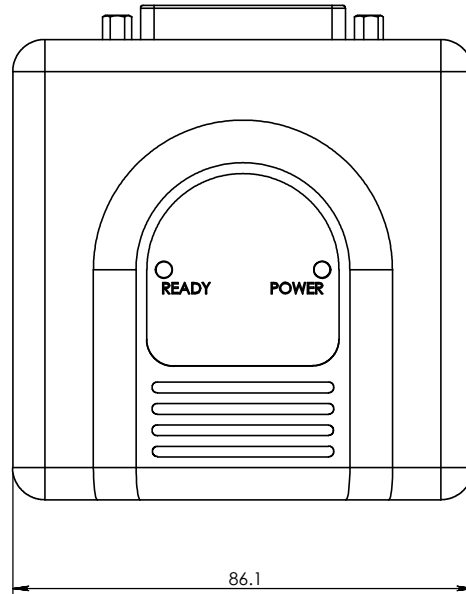



Information only, not for manufacture



1. Plug and play connector.
2. Smart connector for both position and angle detectors.

				DIMENSIONS IN MILLIMETERS (mm)		scale 1:1	
				 DUMA OPTRONICS LTD.			
				TITLE: AngleMeter LA - Manifold box - USB Ver.			
				DWG NO. ANGLE_LA_02_U			
Do not scale drawing							
	NAME	SIGNATURE	DATE				
DRAWN	Yair		8.5.2012				
CHKD	Oren		8.5.2012				
APPVD	Judith		8.5.2012				