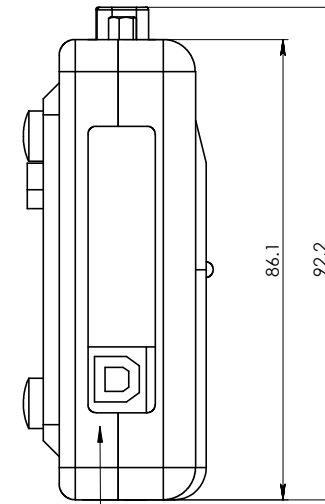
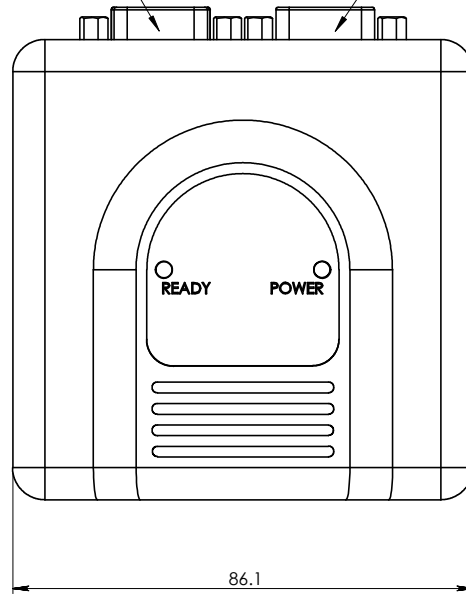


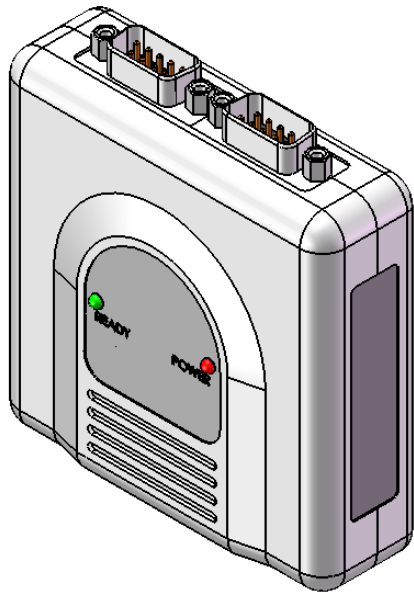
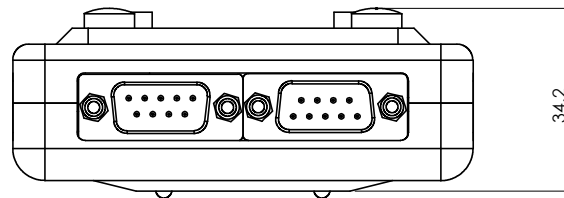
# Information only, not for manufacture

Smart connector for detector no. 2

Smart connector for detector no. 1



USB for computer



DIMENSIONS IN MILLIMETERS (mm) scale 1:1

 **DUMA OPTRONICS LTD.**

TITLE: **SpotOn head  
- Manifold box**

DWG NO. **SpotOn\_M\_09**

REVISION:

Do not scale drawing

	NAME	SIGNATURE	DATE
DRAWN	Yair		28.12.2011
CHKD	Oren		28.12.2011
APPVD	Judith		28.12.2011