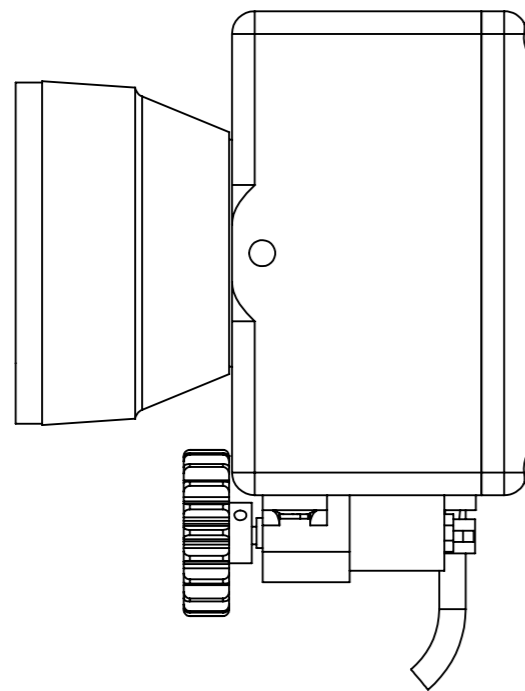
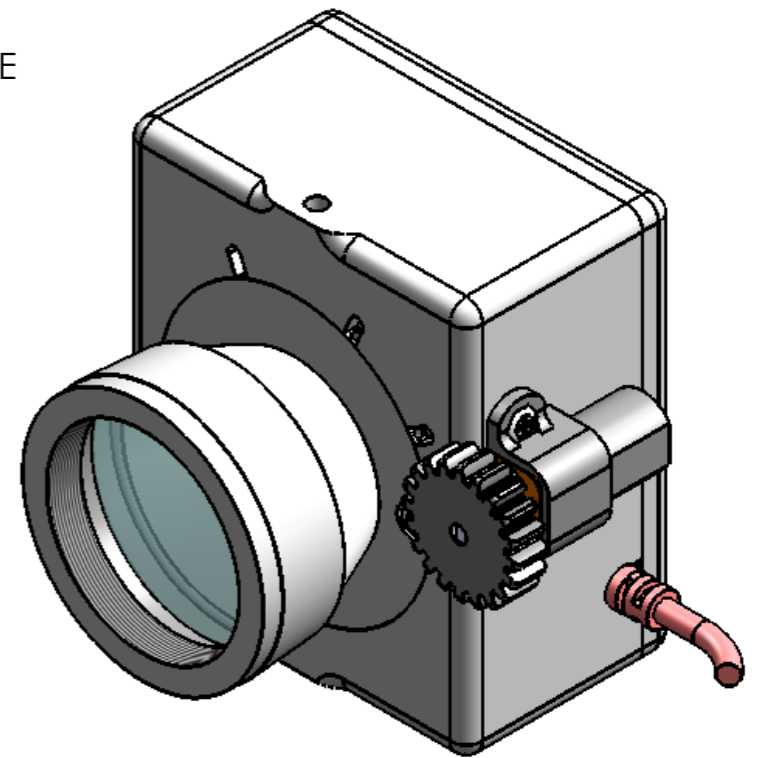
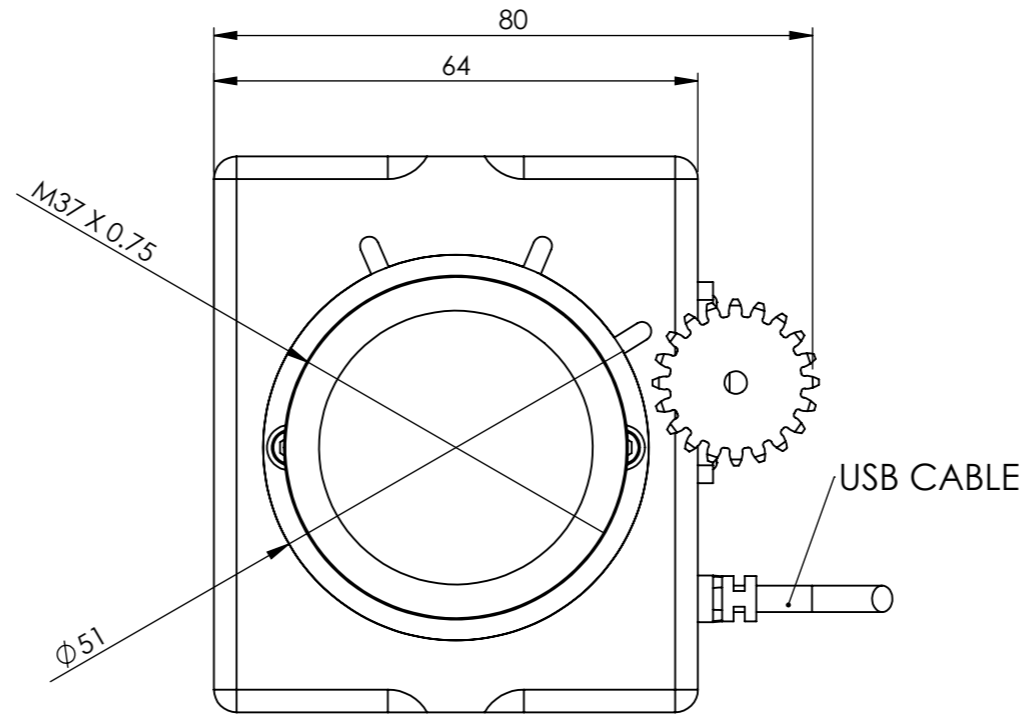
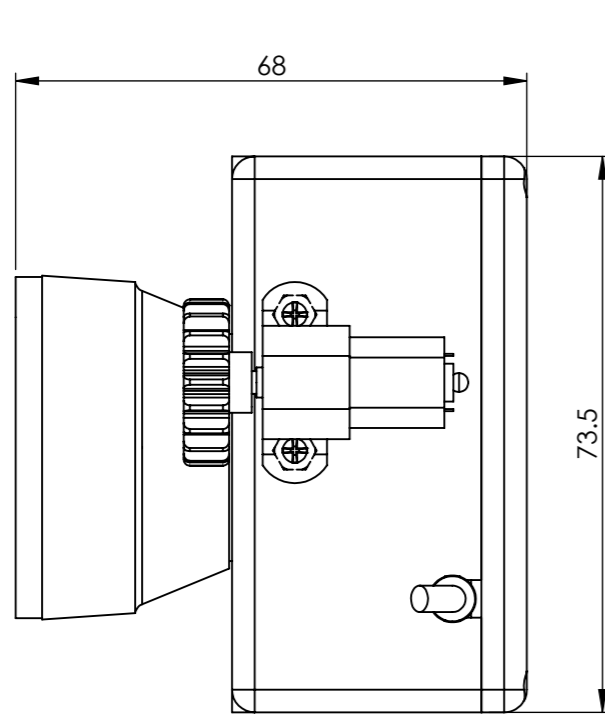


INFORMATION ONLY, NOT FOR MANUFACTURE



Tolerances:
Unless otherwise
specified:

Linear: ± 0.1
Angular: ± 0.1

Surface finish:

Do not scale drawing

DIMENSIONS IN MILLIMETERS (mm) scale 1:1



TITLE:
BeamOn WSR +RDC

DWG NO. DO.15.03.C2

	NAME	SIGNATURE	DATE
DRAWN	Yair		09.03.2015
CHK'D	Oren		
APPV'D			