

Tolerances:
Unless otherwise specified:

Linear: ± 0.1
Angular: ± 0.1

Do not scale drawing

	NAME	SIGNATURE	DATE
DRAWN	Yair		13.10.2013
CHK'D	Judith		13.10.2013
APPV'D	Oren		13.10.2013

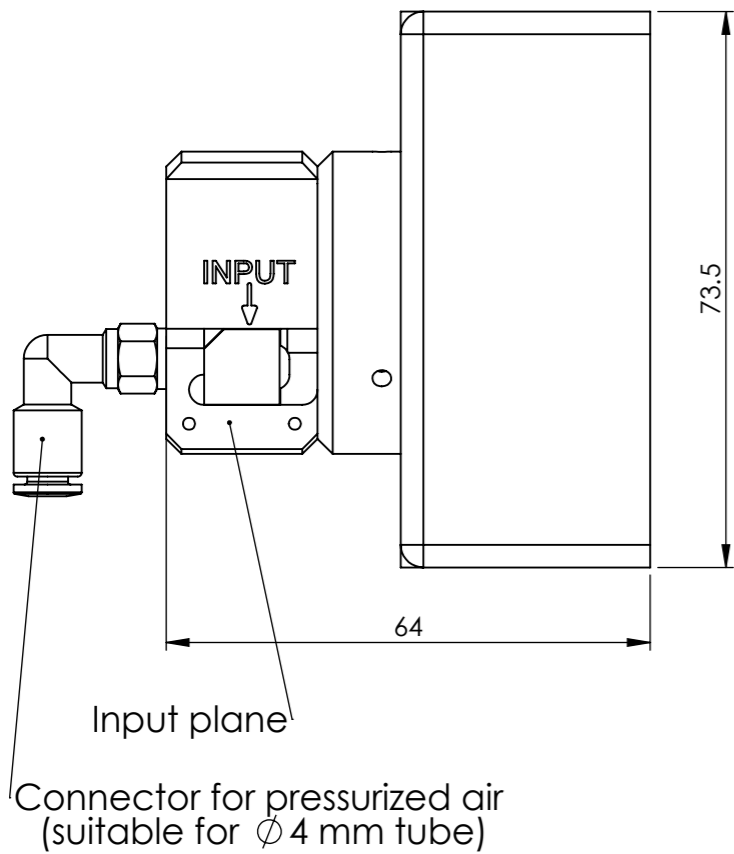
DIMENSIONS IN MILLIMETERS (mm) scale 1:1

 **CTL@ NOSQNMHBR KSC-**

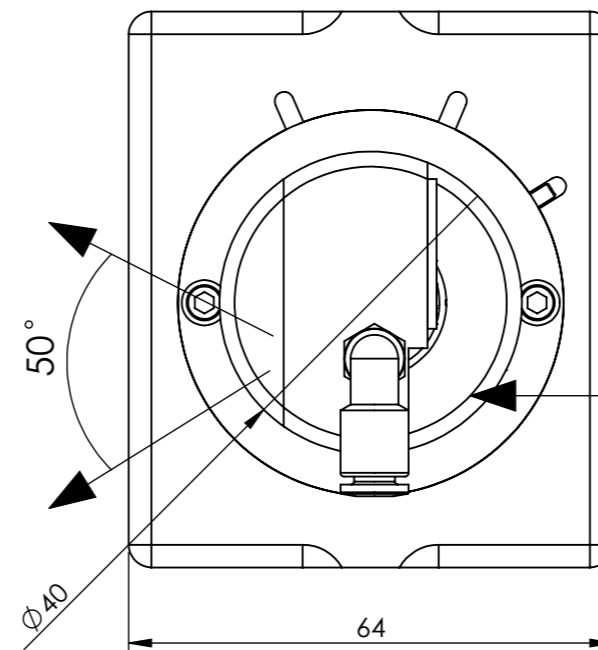
TITLE:
BeamOn HR

DWG NO.
BOHR_C_14

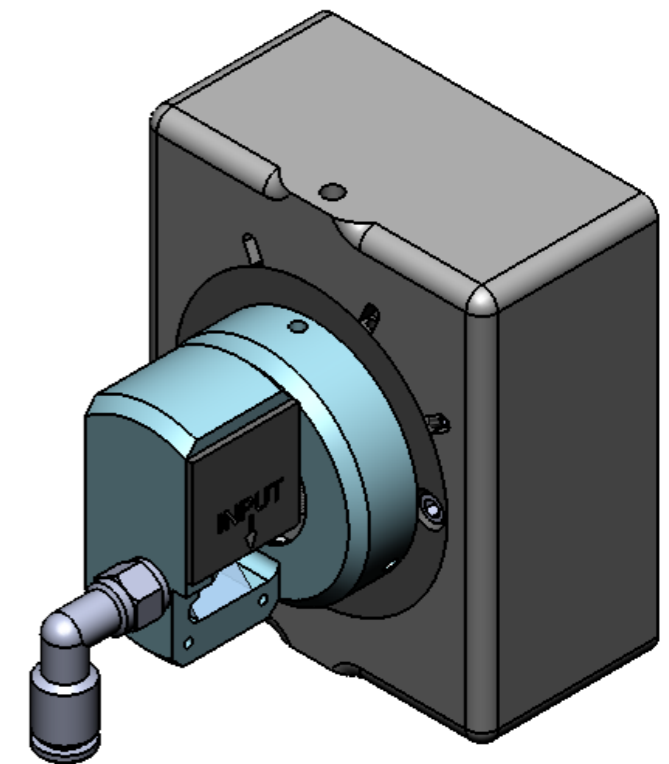
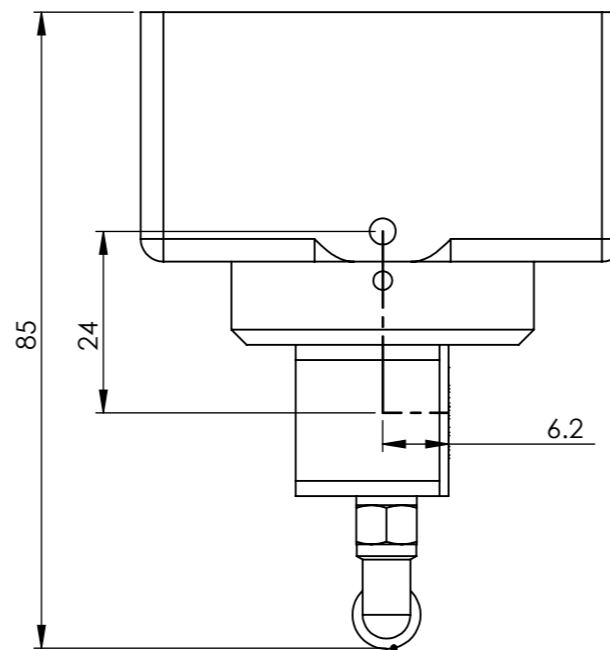
Information only, not for manufacture



High power output area



Input beam



General Table	
Input aperture (*)	Ø8 [mm]
Power range	Up to 5 [KW]
Wavelength	350 - 1310 [nm]
Sampling ratio	$1.1 \cdot 10^{-5}$
Maximum power density	$\sim 5000 [W/cm^2]$
Output power	$\sim 90\%$
Recommended air pressure	6 - 8 [Bar]
Optical path between input plane and detector	42 [mm]

Tolerances:
Unless otherwise specified:

Linear: ± 0.1
Angular: ± 0.1

Do not scale drawing

	NAME	SIGNATURE	DATE
DRAWN	Yair		20.6.2012
CHK'D	Oren		20.6.2012
APPV'D	Judith		20.6.2012

DIMENSIONS IN MILLIMETERS (mm) scale 1:1



DUMA OPTRONICS LTD.

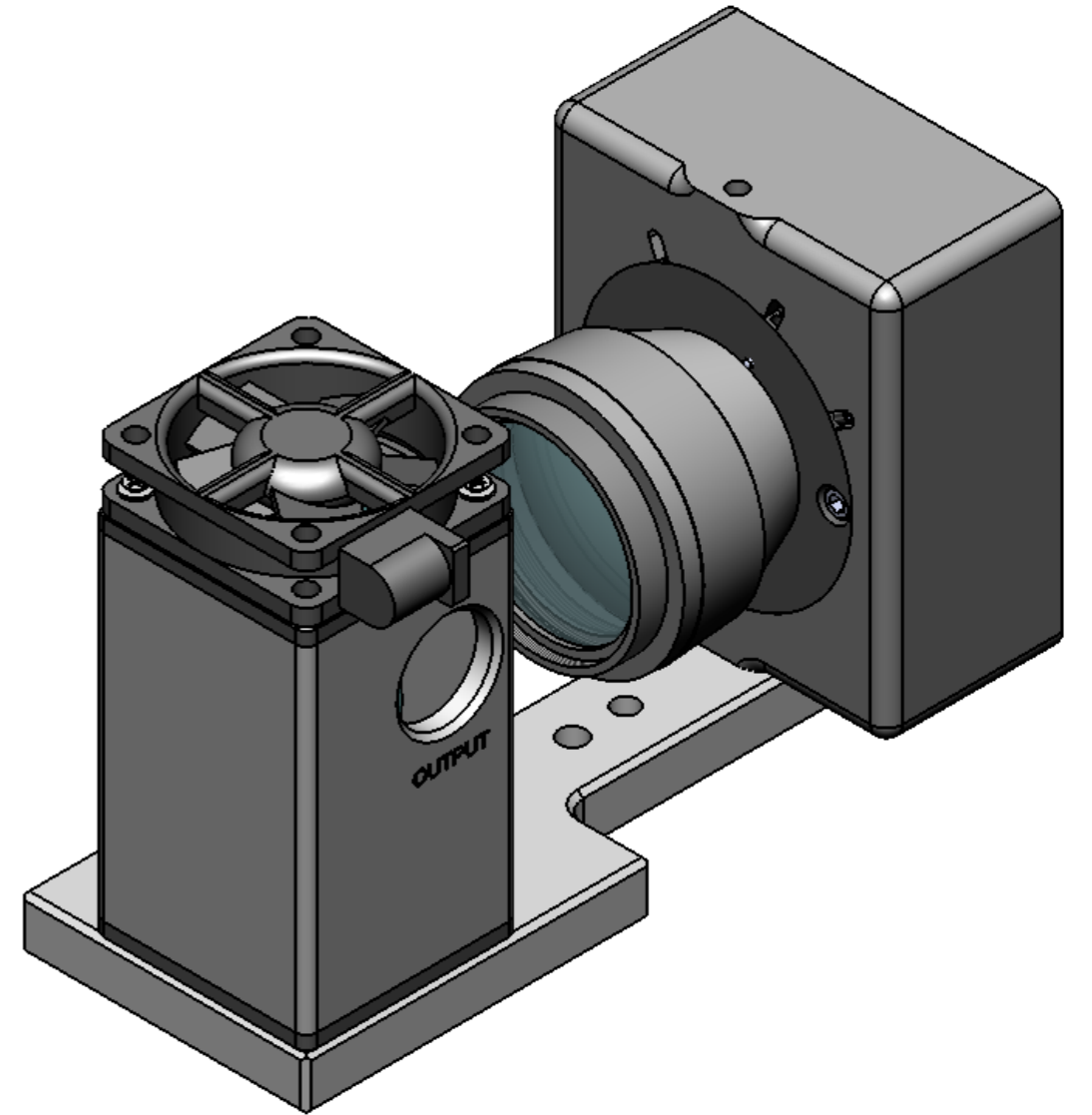
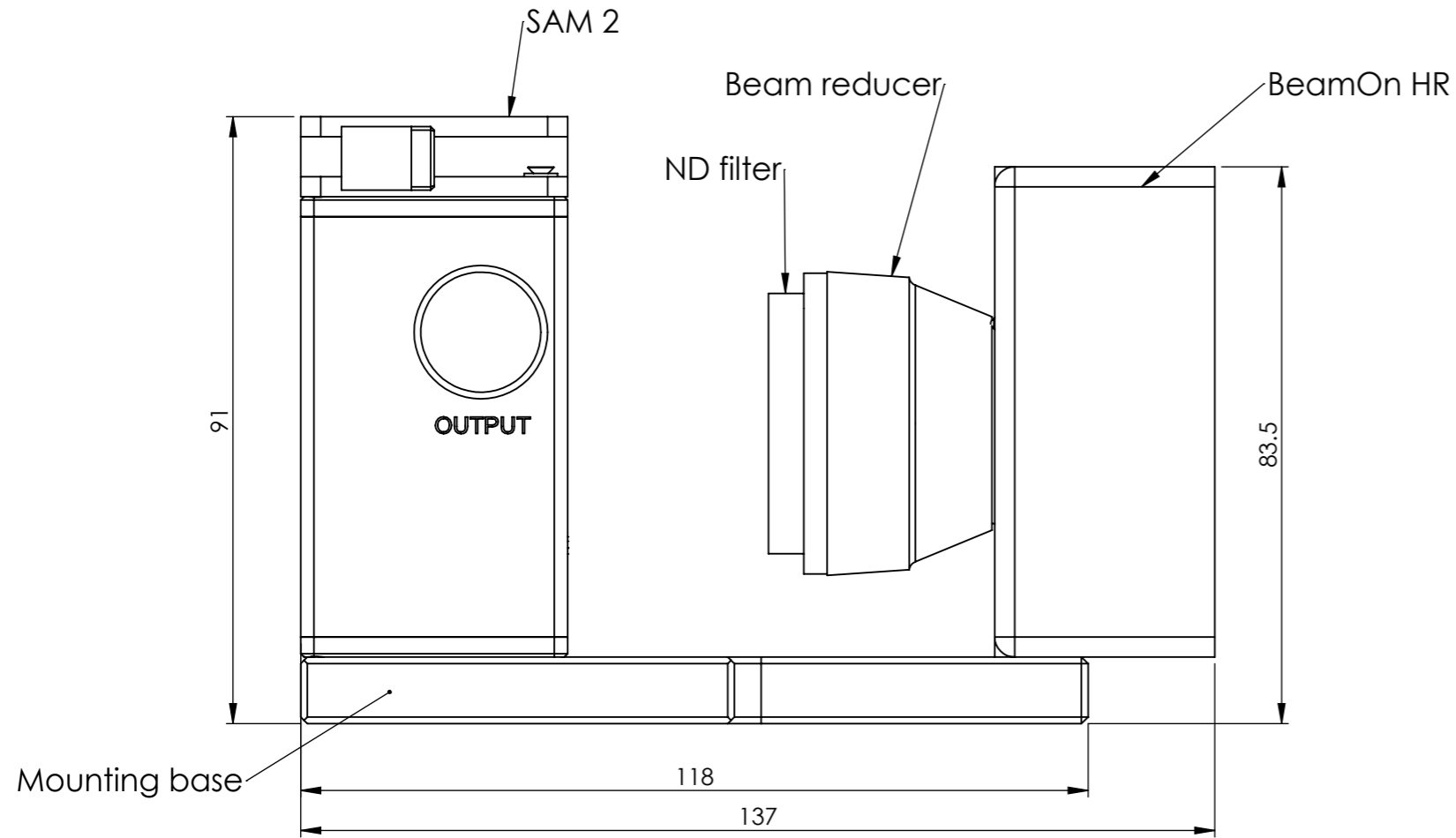
TITLE:

BeamOn HR + SAM 3 HP

DWG NO.

BOHR_C_13-HP

Information only, not for manufacture



Tolerances:
Unless otherwise specified:

Linear: ± 0.1
Angular: ± 0.1

Surface finish:

Do not scale drawing

DIMENSIONS IN MILLIMETERS (mm) scale 1:1

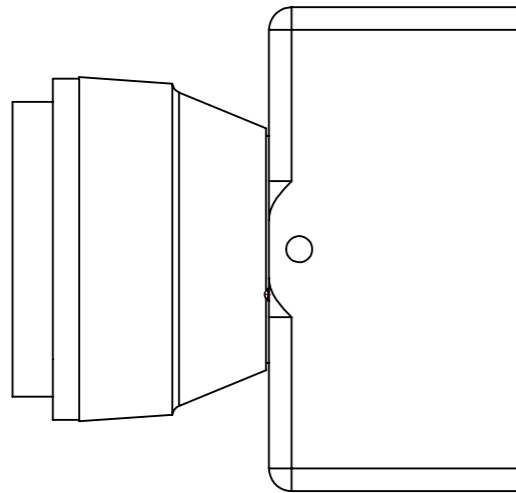
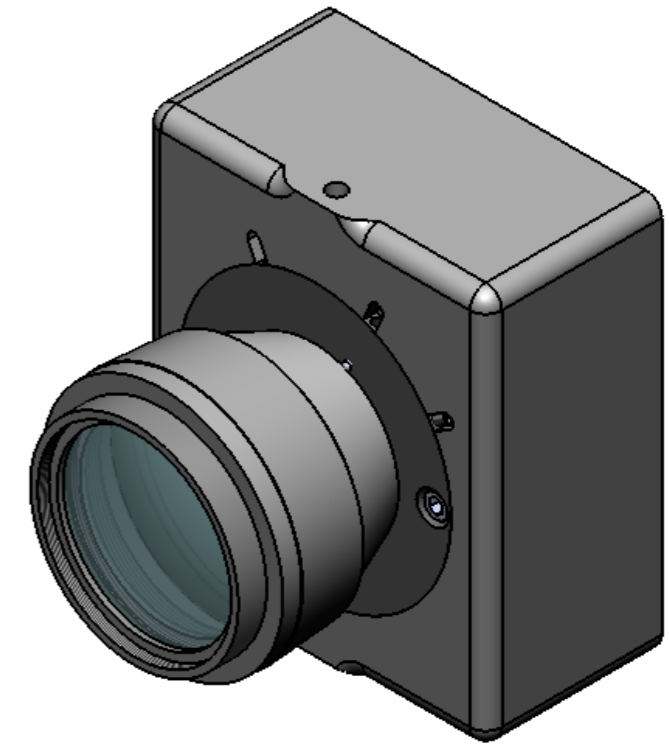
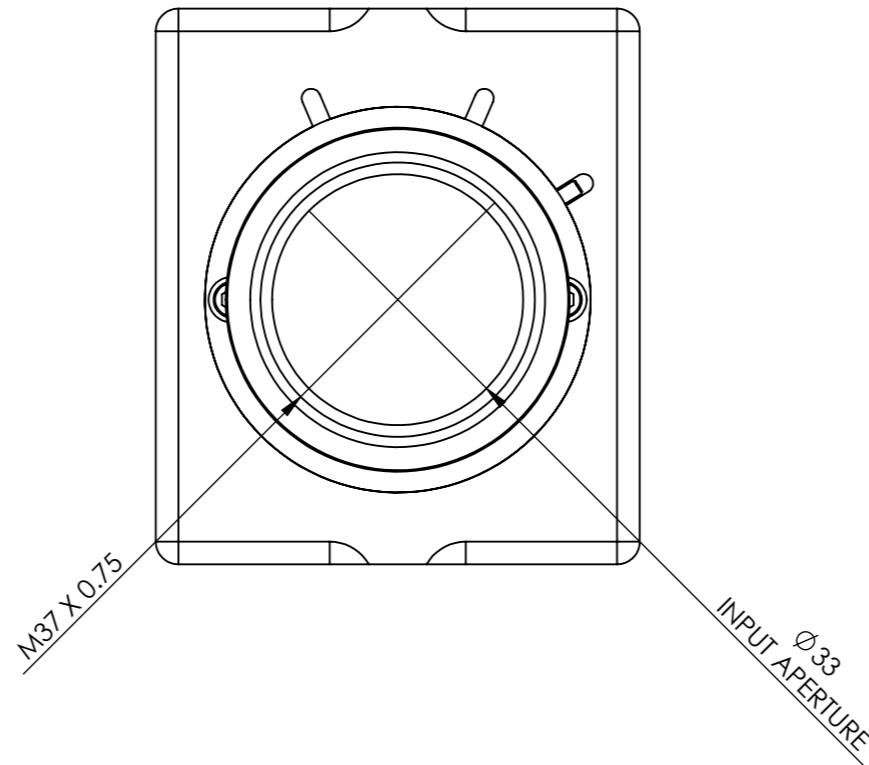
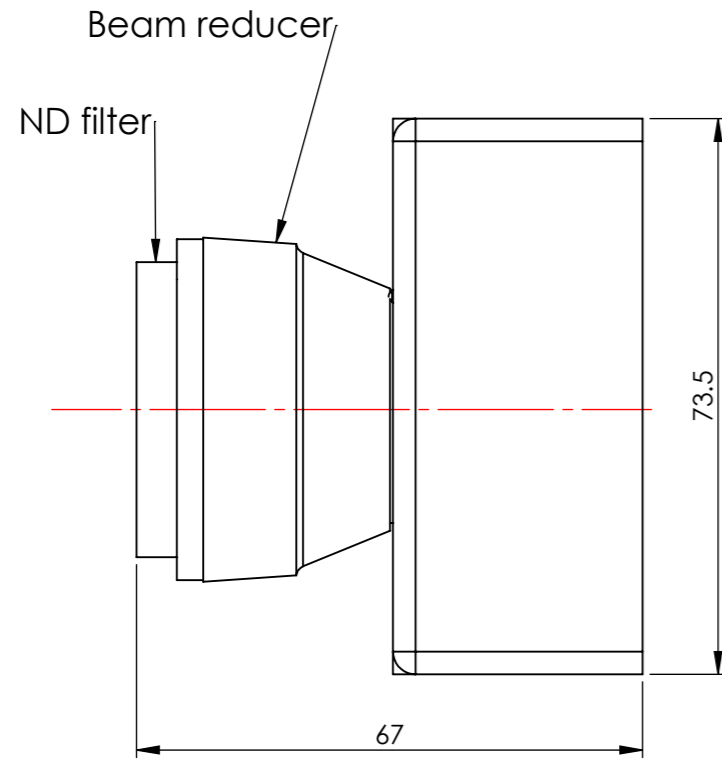


TITLE:
BeamOn HR + Beam reducer
+SAM 2

DWG NO. BOHR_C_12

	NAME	SIGNATURE	DATE
DRAWN	Yair		20.6.2012
CHK'D	Oren		20.6.2012
APPV'D	Judith		20.6.2012

Information only, not for manufacture



Tolerances:
Unless otherwise
specified:

Linear: ± 0.1
Angular: ± 0.1

Surface finish:

Do not scale drawing

DIMENSIONS IN MILLIMETERS (mm) scale 1:1

CTL@ NOSQNMHBR KSC-

TITLE:
BeamOn HR + Beam reducer

DWG NO. **BOHR_C_15**

	NAME	SIGNATURE	DATE
DRAWN	Yair		20.6.2012
CHK'D	Oren		20.6.2012
APPV'D	Judith		20.6.2012