

ATLEX-I Series



New generation of compact powerful air-cooled excimer lasers for scientific, medical and industrial applications.

Key Features:

- TMC (Total-Metal-Ceramic) Vessel
- Corona Preionization
- Solid State Switch
- Laser Head Volume < 3 l
- Air-Cooled, Thermal Management
- Flushable Optics Holder
- Integrated 4-Valve System for Easy Gas Handling
- RS485, RS232, USB and FOC Interface for System Integration
- Energy Stabilization Mode
- Integrated Vacuum Pump & Halogen Filter
- Meets European CE Standard, RoHS Compliant



Technical Data

Gas Medium	F ₂	ArF	KrF	XeCl	XeF	Units
Wavelength	157	193	248	308	351	nm
High Voltage Switching Technique	Solid State Switch					
Max. Pulse Energy ¹⁾	1	10	15	8	7	mJ
Max. Average Power						
ATLEX-300-I	0.2	2.4	4.0	2.0	1.7	W
ATLEX-500-I	0.5	4.0	6.5	3.0	2.5	W
Max. Rep. Rate						
ATLEX-300-I			300			Hz
ATLEX-500-I			500			Hz
Pulse Duration ²⁾			5 - 8			ns
Beam Dimensions ²⁾ (V x H)			4 x 6			mm
Beam Divergence ²⁾ (V x H)			1 x 2			mrad
Energy Stability (Stand. Dev.)			< 3			%
Dimensions (L x W x H)			540 x 470 x 370			mm
Weight			60			kg
Cooling			Air			
Power Requirements			230 VAC / 6,3 A / 50-60 Hz / 1 Phase			

All specifications are typical data and subject to change without notice due to product improvements.

¹⁾ measured at low rep. rates; allow 10% reduction of output energy and power for laser equipped with stabilization mode

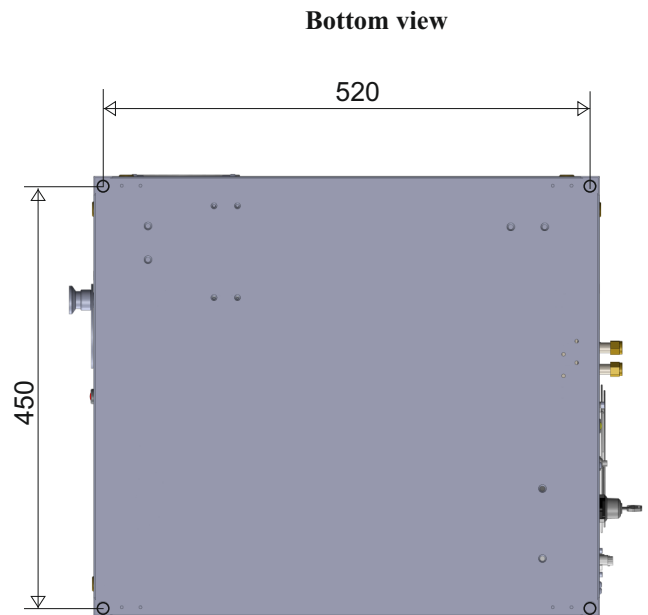
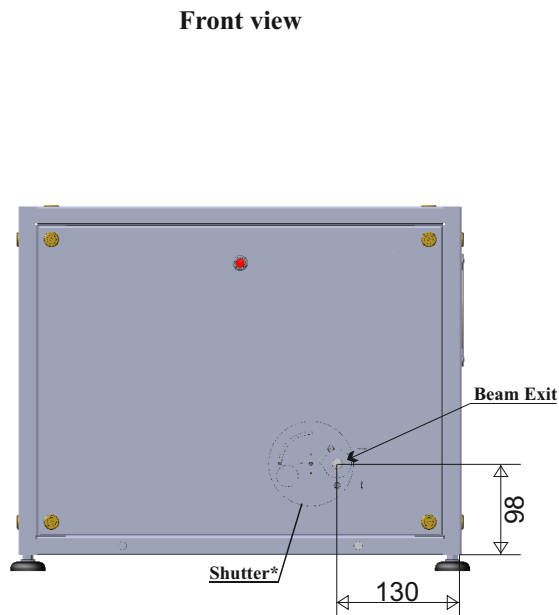
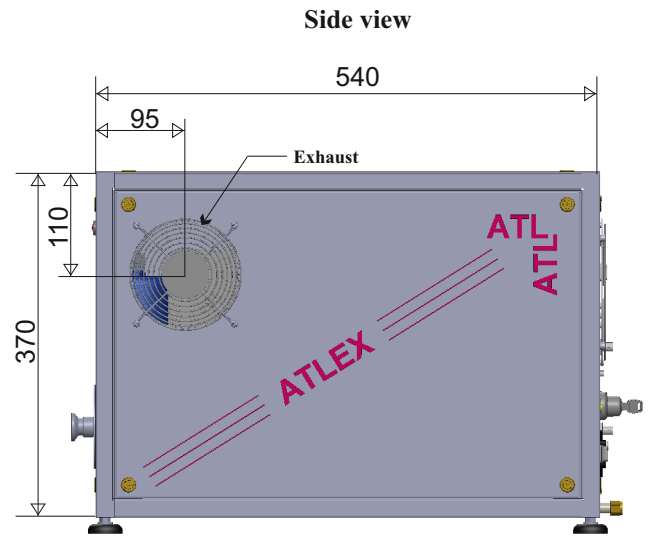
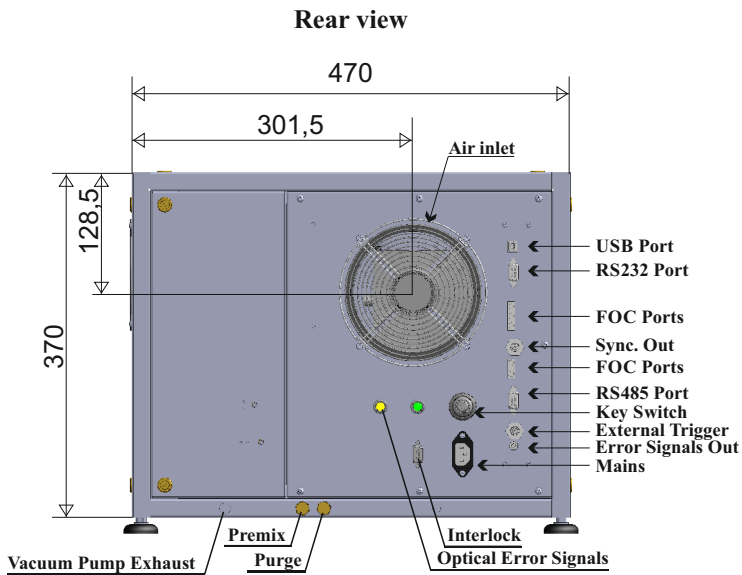
²⁾ Typical Value, FWHM

ATL LASERTECHNIK

Advanced Technology Lasers

ATLEX-I Series Dimensions

ATL
ATL



*Optional

All dimensions in mm

ATLEX-I complies with the Federal Regulations (21 CFR Subchapter J) as administered by the Center for Devices and Radiological Health.

ATL Lasertechnik GmbH
Burger Str. 28
D-42929 Wermelskirchen
Tel.: +49 (2196) 88 79 893
Fax: +49 (2196) 88 79 895
Internet: www.atl-laser.de

ATL Lasertechnik US
2794 Gateway Rd.
Carlsbad, CA 92009
Phone: +1 858 220 1070
Internet: www.atl-laser.com



Visible and invisible Laser Radiation. Avoid eye or skin exposure to direct or scattered Radiation. CLASS IV Laser radiation product per EN60825-1 (1994).