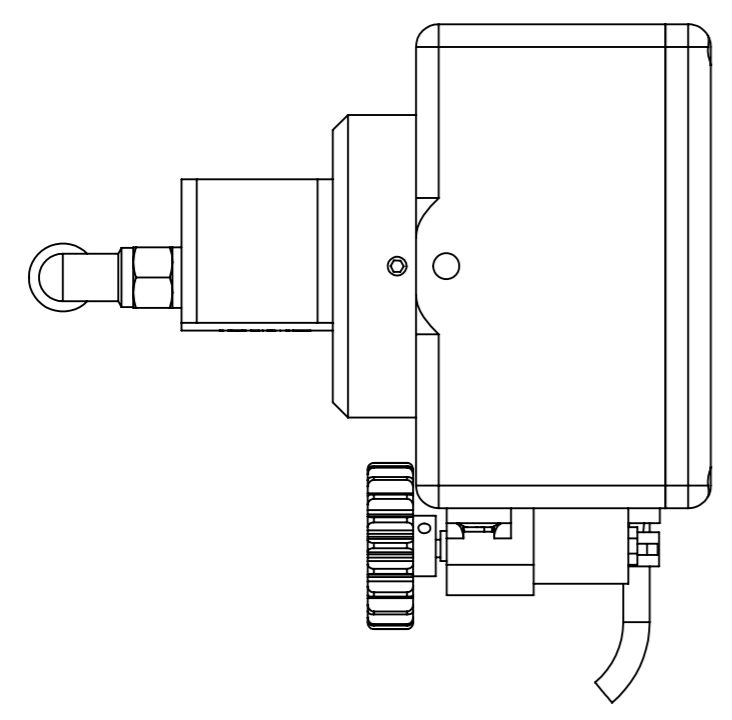
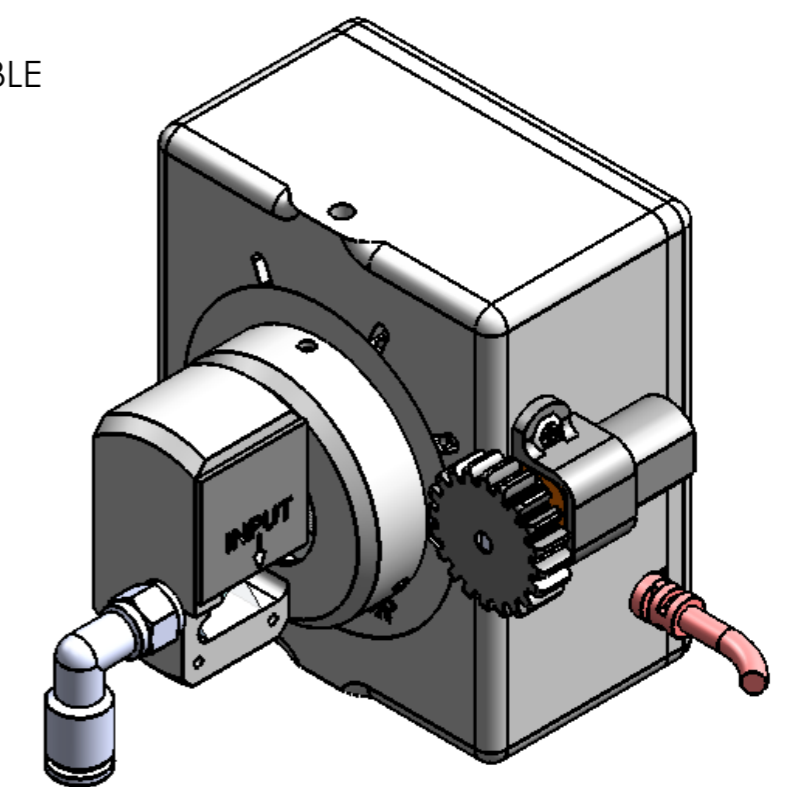
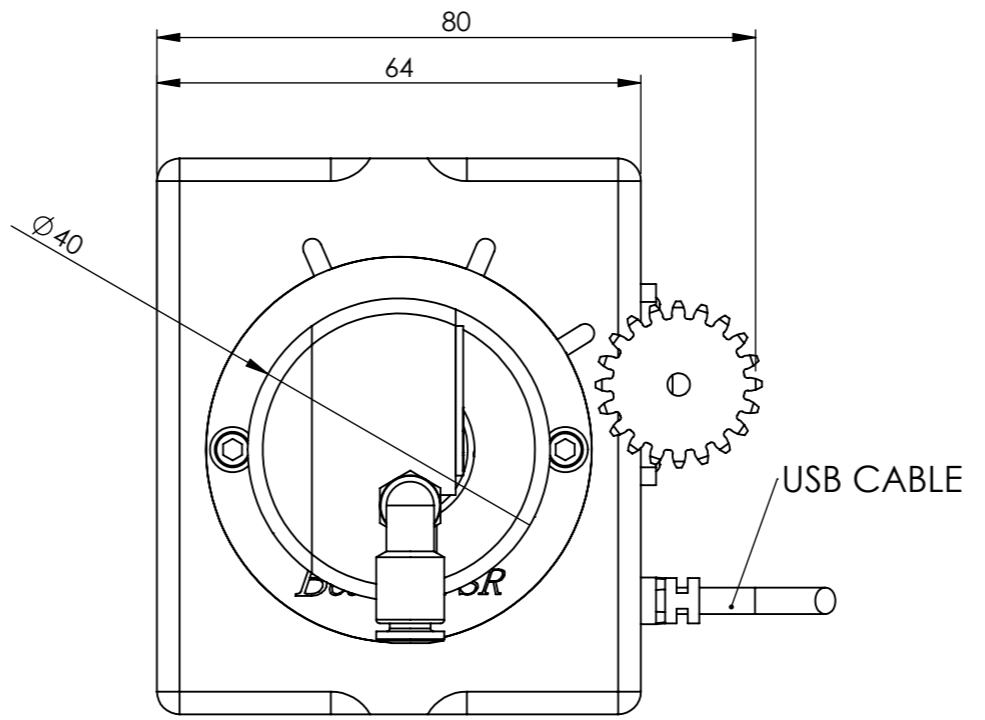
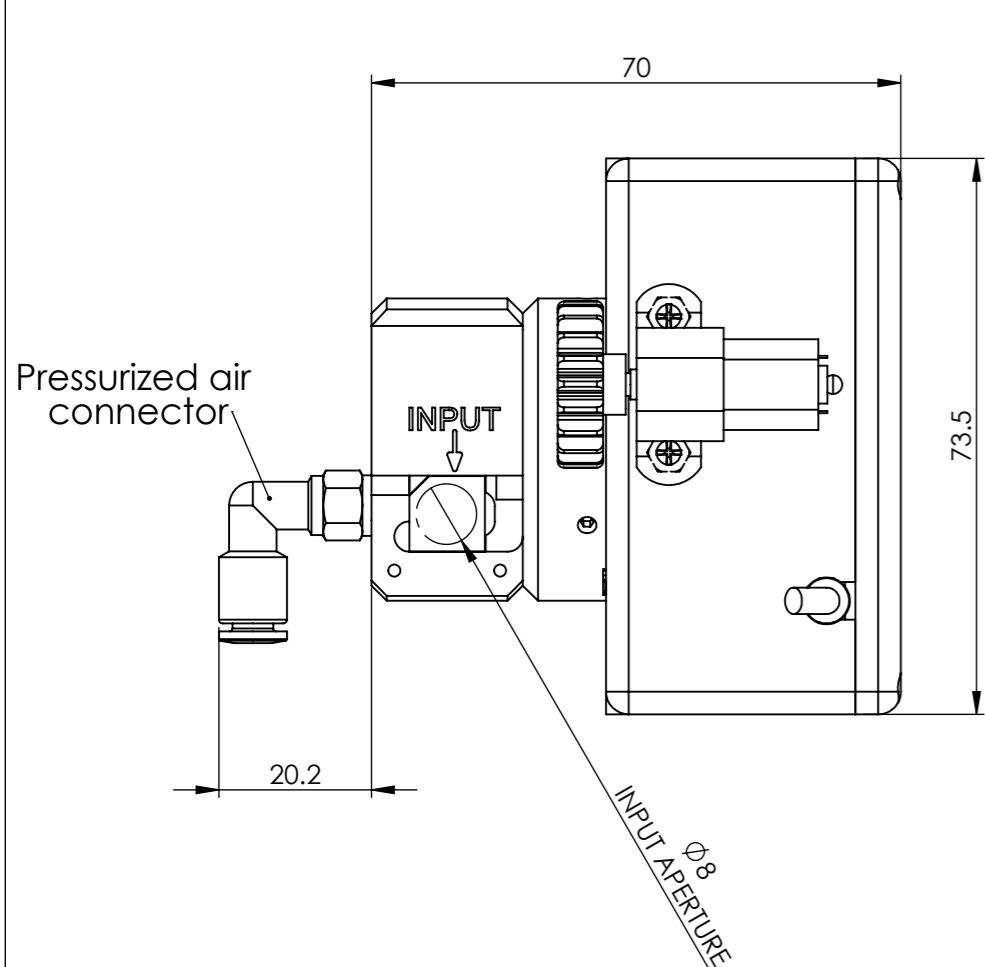



INFORMATION ONLY, NOT FOR MANUFACTURE  
 FOR MORE INFORMATION SEE SAM3 SPECIFICATIONS



Tolerances: Unless otherwise specified:		DIMENSIONS IN MILLIMETERS (mm)		scale 1:1	
Linear: ±0.1 Angular: ±0.1		 Duma Optronics Ltd.			
Surface finish:		TITLE: BeamOn WSR +SAM3-A			
Do not scale drawing		DWG NO. DO.15.03.C1			
	NAME	SIGNATURE	DATE		
DRAWN	Yair		09.03.2015		
CHK'D	Oren				
APPV'D					
				SHEET 1 OF 1	A3